

# uA747C, uA747M DUAL GENERAL-PURPOSE OPERATIONAL AMPLIFIERS

SLOS009A – D971, FEBRUARY 1971 – REVISED OCTOBER 1990

- No Frequency Compensation Required
- Low Power Consumption
- Short-Circuit Protection
- Offset-Voltage Null Capability
- Wide Common-Mode and Differential Voltage Ranges
- No Latch-Up
- Designed to Be Interchangeable With Fairchild  $\mu$ A747C and  $\mu$ A747M

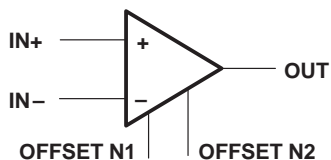
## description

The uA747 is a dual general-purpose operational amplifier featuring offset-voltage null capability. Each half is electrically similar to uA741.

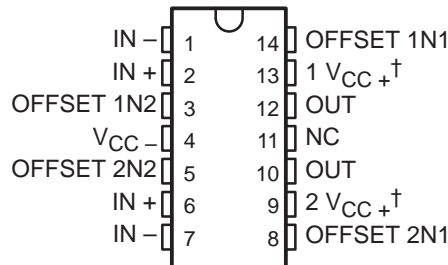
The high common-mode input voltage range and the absence of latch-up make this amplifier ideal for voltage-follower applications. The device is short-circuit protected and the internal frequency compensation ensures stability without external components. A low-value potentiometer may be connected between the offset null inputs to null out the offset voltage as shown in Figure 2.

The uA747C is characterized for operation from 0°C to 70°C; the uA747M is characterized for operation over the full military temperature range of –55°C to 125°C.

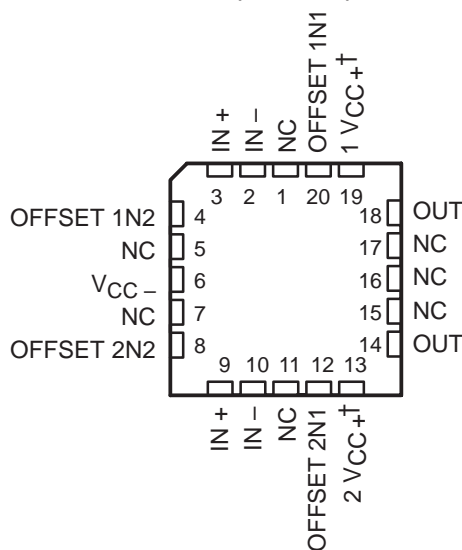
## symbol (each amplifier)



D, J, N, OR W PACKAGE  
(TOP VIEW)



uA747m . . . FK PACKAGE  
(TOP VIEW)



NC – No internal connection

† The two positive supply terminals (1  $V_{CC+}$  and 2  $V_{CC+}$ ) are connected together internally.

## AVAILABLE OPTIONS

| T <sub>A</sub>       | V <sub>IO</sub> Max<br>AT 25°C | PACKAGE              |                    |                    |                  |                      |
|----------------------|--------------------------------|----------------------|--------------------|--------------------|------------------|----------------------|
|                      |                                | 14-PIN               |                    |                    |                  | 20-PIN               |
|                      |                                | SMALL OUTLINE<br>(D) | CERAMIC DIP<br>(J) | PLASTIC DIP<br>(N) | FLAT PACK<br>(W) | CHIP CARRIER<br>(FK) |
| 0°C<br>to<br>70°C    | 6 mV                           | uA747CD              | —                  | uA747CN            | —                | —                    |
| –55°C<br>to<br>125°C | 5 mV                           | —                    | uA747MJ            | —                  | uA747MW          | uA747MFK             |

The D package is available taped and reeled. Add the suffix R to the device type, (i.e., uA747CDR).

PRODUCTION DATA information is current as of publication date. Products conform to specifications per the terms of Texas Instruments standard warranty. Production processing does not necessarily include testing of all parameters.

**TEXAS**  
**INSTRUMENTS**

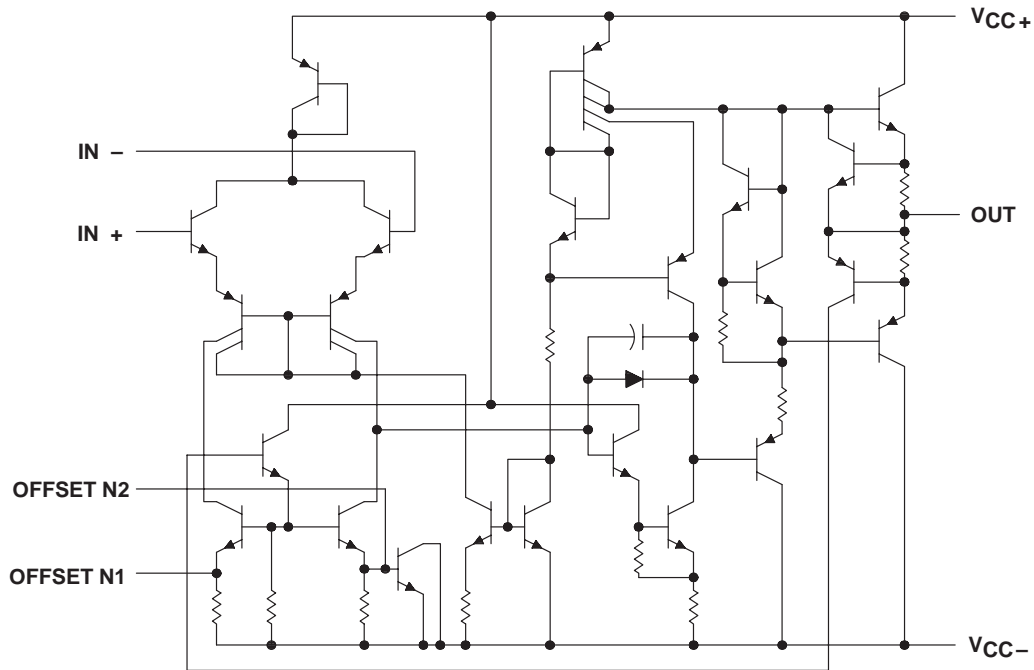
POST OFFICE BOX 655303 • DALLAS, TEXAS 75265

Copyright © 1990, Texas Instruments Incorporated

# uA747C, uA747M DUAL GENERAL-PURPOSE OPERATIONAL AMPLIFIERS

SLOS009A – D971, FEBRUARY 1971 – REVISED OCTOBER 1990

## schematic (each amplifier)



## absolute maximum ratings over operating free-air temperature range (unless otherwise noted)

|  | uA747C                       | uA747M         | UNIT               |
|--|------------------------------|----------------|--------------------|
| Supply voltage, $V_{CC+}$ (see Note 1)                         | 18                           | 22             | V                  |
| Supply voltage, $V_{CC-}$ (see Note 1)                         | -18                          | -22            | V                  |
| Differential input voltage (see Note 2)                        | $\pm 30$                     | $\pm 30$       | V                  |
| Input voltage any input (see Notes 1 and 3)                    | $\pm 15$                     | $\pm 15$       | V                  |
| Voltage between any offset null terminal (N1/N2) and $V_{CC-}$ | $\pm 0.5$                    | $\pm 0.5$      | V                  |
| Duration of output short circuit (see Note 4)                  | unlimited                    | unlimited      |                    |
| Continuous total dissipation                                   | See Dissipation Rating Table |                |                    |
| Operating free-air temperature range                           | 0 to 70                      | -55 to 125     | $^{\circ}\text{C}$ |
| Storage temperature range                                      | -65 to 150                   | -65 to 150     | $^{\circ}\text{C}$ |
| Case temperature for 60 seconds                                |                              | FK package     | 260                |
| Lead temperature 1,6 mm (1/16 inch) from case for 60 seconds   |                              | J or W package | 300                |
| Lead temperature 1,6 mm (1/16 inch) from case for 10 seconds   |                              | D or N package | 260                |

NOTES: 1. All voltage values, unless otherwise noted, are with respect to the midpoint between  $V_{CC+}$  and  $V_{CC-}$ .

2. Differential voltages are at the noninverting input terminal with respect to the inverting input terminal.

3. The magnitude of the input voltage must never exceed the magnitude of the supply voltage or 15 V, whichever is less.

4. The output may be shorted to ground or either power supply. For the uA747M only, the unlimited duration of the short circuit applies at (or below) 125 $^{\circ}\text{C}$  case temperature or 75 $^{\circ}\text{C}$  free-air temperature.

DISSIPATION RATING TABLE

| PACKAGE | $T_A \leq 25^{\circ}\text{C}$<br>POWER RATING | DERATING<br>FACTOR          | DERATE<br>ABOVE $T_A$ | $T_A = 70^{\circ}\text{C}$<br>POWER RATING | $T_A = 125^{\circ}\text{C}$<br>POWER RATING |
|---------|---|-----------------------------|-----------------------|--|---|
| D       | 800 mW  | 7.6 mW/ $^{\circ}\text{C}$  | 45 $^{\circ}\text{C}$ | 608 mW                                     | —   |
| FK      | 800 mW  | 11.0 mW/ $^{\circ}\text{C}$ | 77 $^{\circ}\text{C}$ | 800 mW                                     | 275 mW                                      |
| J       | 800 mW  | 11.0 mW/ $^{\circ}\text{C}$ | 77 $^{\circ}\text{C}$ | 800 mW                                     | 275 mW                                      |
| N       | 800 mW  | 9.2 mW/ $^{\circ}\text{C}$  | 63 $^{\circ}\text{C}$ | 736 mW                                     | —   |
| W       | 800 mW  | 8.0 mW/ $^{\circ}\text{C}$  | 50 $^{\circ}\text{C}$ | 640 mW                                     | 200 mW                                      |

# uA747C, uA747M

## DUAL GENERAL-PURPOSE OPERATIONAL AMPLIFIERS

SLOS009A – D971, FEBRUARY 1971 – REVISED OCTOBER 1990

### electrical characteristics at specified free-air temperature, $V_{CC\pm} = \pm 15\text{ V}$

| PARAMETER  | TEST CONDITIONS†   | $T_A$ ‡    | uA747C |     |     | uA747M |      |            | UNIT            |
|--|--|------------|--------|-----|-----|--------|------|------------|-----------------|
|  |  |            | MIN    | TYP | MAX | MIN    | TYP  | MAX        |                 |
| $V_{IO}$ Input offset voltage  | $V_O = 0$  | 25°C       | 1      | 6   |     | 1      | 5    | mV         |                 |
|  |  | Full range |        |     | 7.5 |        | 6    |            |                 |
| $\Delta V_{IO(\text{adj})}$ Offset voltage adjust range                  |  | 25°C       | ±15    |     |     | ±15    |      |            | mV              |
| $I_{IO}$ Input offset current  |  | 25°C       | 20     | 200 |     | 20     | 200  | nA         |                 |
|  |  | Full range |        |     | 300 |        | 500  |            |                 |
| $I_{IB}$ Input bias current  |  | 25°C       | 80     | 500 |     | 80     | 500  | nA         |                 |
|  |  | Full range |        |     | 800 |        | 1500 |            |                 |
| $V_{ICR}$ Common-mode input voltage range                                |  | 25°C       | ±12    | ±13 |     | ±12    | ±13  | V          |                 |
|  |  | Full range | ±12    |     |     | ±12    |      |            |                 |
| $V_{O(\text{PP})}$ Maximum peak-to-peak output voltage swing             | $R_L = 10\text{ k}\Omega$                                | 25°C       | 24     | 28  |     | 24     | 28   | V          |                 |
|  | $R_L \geq 10\text{ k}\Omega$                             | Full range | 24     |     |     | 24     |      |            |                 |
|  | $R_L = 2\text{ k}\Omega$                                 | 25°C       | 20     | 26  |     | 20     | 26   |            |                 |
|  | $R_L \geq 2\text{ k}\Omega$                              | Full range | 20     |     |     | 20     |      |            |                 |
| $A_{VD}$ Large-signal differential voltage amplification                 | $R_L \geq 2\text{ k}\Omega$ ,<br>$V_O = \pm 10\text{ V}$ | 25°C       | 25     | 200 |     | 50     | 200  | V/mV       |                 |
|  |  | Full range | 15     |     |     | 25     |      |            |                 |
| $r_i$ Input resistance   |  | 25°C       | 0.3    | 2   |     | 0.3*   | 2    | M $\Omega$ |                 |
| $r_o$ Output resistance  | See Note 5   | 25°C       |        | 75  |     |        | 75   | $\Omega$   |                 |
| $C_i$ Input capacitance  |  | 25°C       |        | 1.4 |     |        | 1.4  | pF         |                 |
| CMRR Common-mode rejection ratio   | $V_{IC} = V_{ICR}$                                       | 25°C       | 70     | 90  |     | 70     | 90   | dB         |                 |
|  |  | Full range | 70     |     |     | 70     |      |            |                 |
| $k_{SVS}$ Supply-voltage sensitivity ( $\Delta V_{IO} / \Delta V_{CC}$ ) | $V_{CC} = \pm 9\text{ V}$ to $\pm 15\text{ V}$           | 25°C       |        | 30  | 150 |        | 30   | 150        | $\mu\text{V/V}$ |
|  |  | Full range |        |     | 150 |        |      | 150        |                 |
| $I_{OS}$ Short-circuit output current                                    |  | 25°C       |        | ±25 | ±40 |        | ±25  | ±40        | mA              |
| $I_{CC}$ Supply current (each amplifier)                                 | No load  | 25°C       |        | 1.7 | 2.8 |        | 1.7  | 2.8        | mA              |
|  |  | Full range |        |     | 3.3 |        |      | 3.3        |                 |
| $P_D$ Power dissipation (each amplifier)                                 | No load, $V_O = 0$                                       | 25°C       |        | 50  | 85  |        | 50   | 85         | mW              |
|  |  | Full range |        |     | 100 |        |      | 100        |                 |
| $V_{O1}/V_{O2}$ Channel separation                                       |  | 25°C       |        | 120 |     |        | 120  | 0          | dB              |

† All characteristics are measured under open-loop conditions with zero common-mode input voltage unless otherwise specified.

‡ Full range for uA747C is 0°C to 70°C and for uA747M is –55°C to 125°C.

\*On products compliant to MIL-STD-883, Class B, this parameter is not production tested.

NOTE 5: This typical value applies only at frequencies above a few hundred hertz because of the effects of drift and thermal feedback.

### operating characteristics, $V_{CC\pm} = \pm 15\text{ V}$ , $T_A = 25^\circ\text{C}$

| PARAMETER                  | TEST CONDITIONS  | MIN | TYP              | MAX | UNIT             |
|----------------------------|--|-----|------------------|-----|------------------|
| $t_r$ Rise time            | $V_I = 20\text{ mV}$ , $R_L = 2\text{ k}\Omega$ , $C_L = 100\text{ pF}$ , See Figure 1 |     | 0.3              |     | $\mu\text{s}$    |
|                            |  |     | Overshoot factor | 5%  |                  |
| SR Slew rate at unity gain | $V_I = 10\text{ mV}$ , $R_L = 2\text{ k}\Omega$ , $C_L = 100\text{ pF}$ , See Figure 1 |     | 0.5              |     | V/ $\mu\text{s}$ |



# uA747C, uA747M DUAL GENERAL-PURPOSE OPERATIONAL AMPLIFIERS

SLOS009A – D971, FEBRUARY 1971 – REVISED OCTOBER 1990

## PARAMETER MEASUREMENT INFORMATION

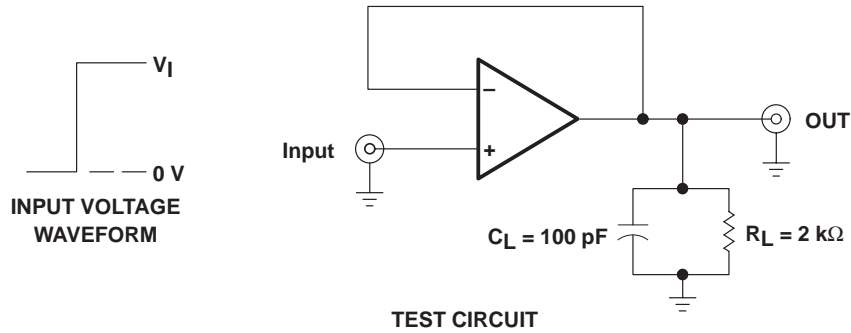


Figure 1. Rise Time, Overshoot, and Slew Rate

## APPLICATION INFORMATION

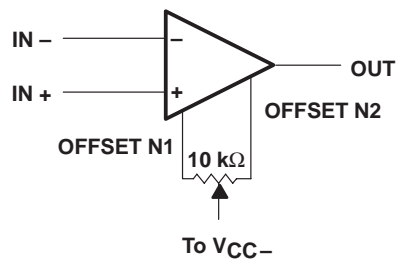
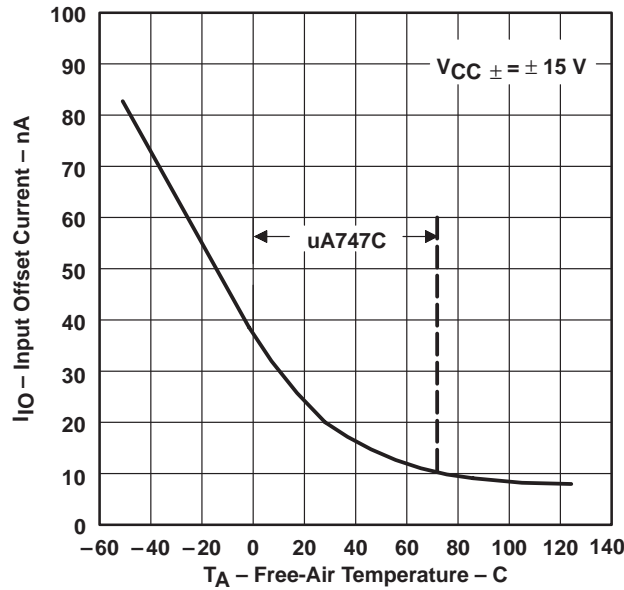


Figure 2. Input Offset Voltage Null Circuit

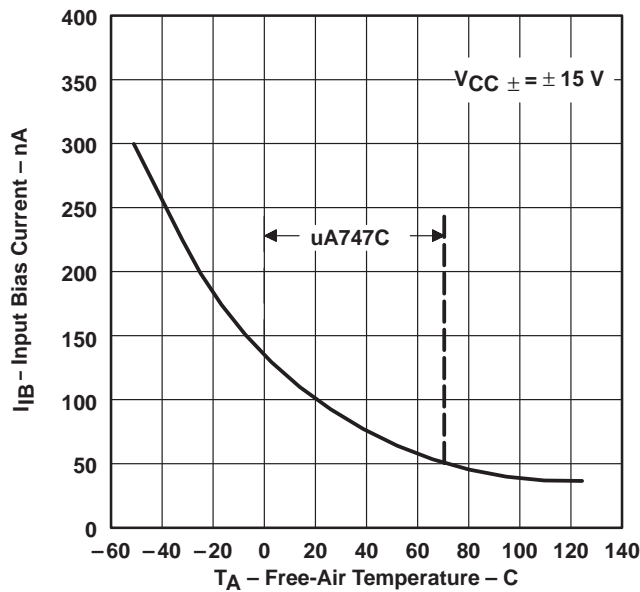
**TYPICAL CHARACTERISTICS†**

**INPUT OFFSET CURRENT  
 vs  
 FREE-AIR TEMPERATURE**



**Figure 3**

**INPUT BIAS CURRENT  
 vs  
 FREE-AIR TEMPERATURE**



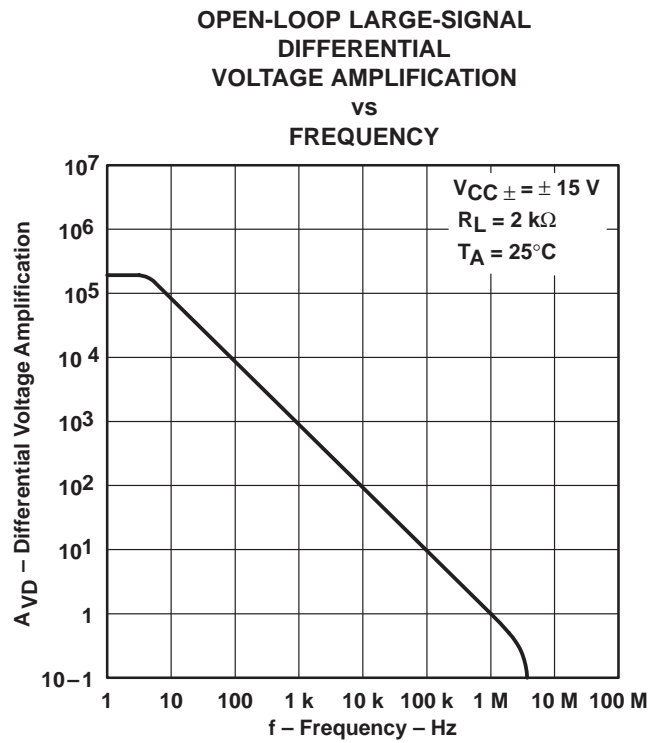
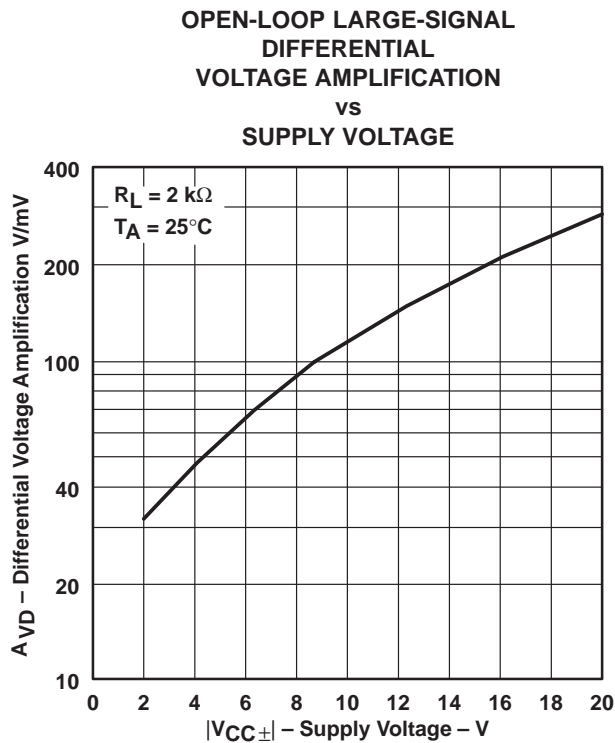
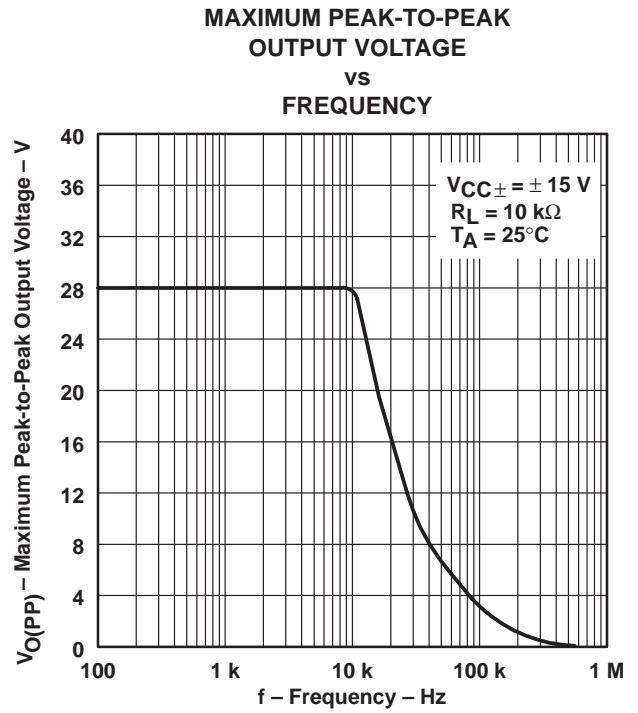
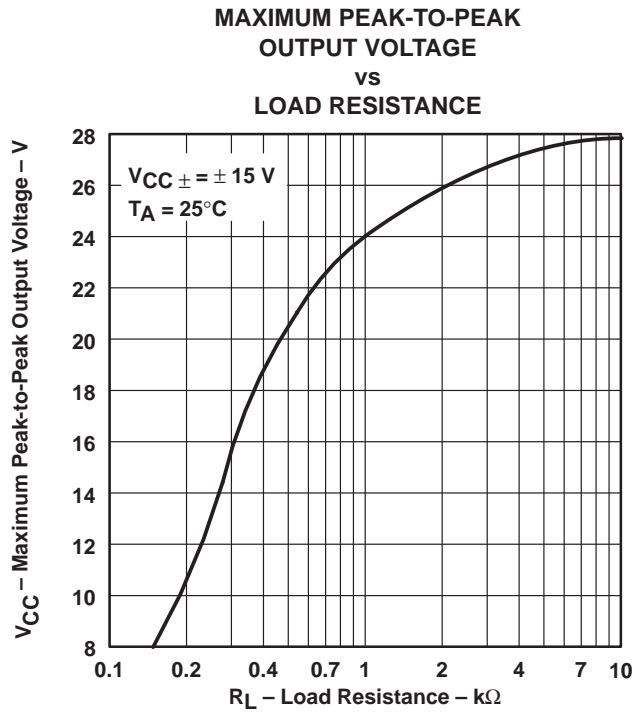
**Figure 4**

† Data at high and low temperatures are applicable only within the rated operating free-air temperature range of the particular devices.

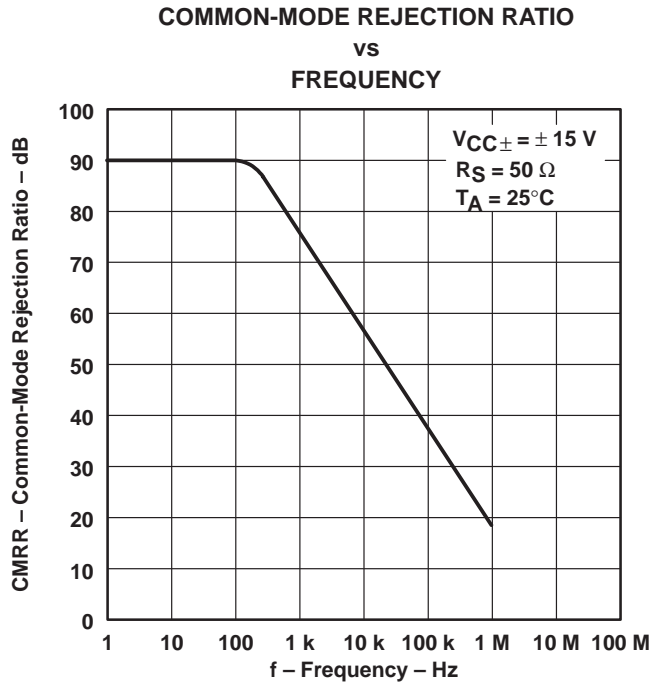
# uA747C, uA747M DUAL GENERAL-PURPOSE OPERATIONAL AMPLIFIERS

SLOS009A – D971, FEBRUARY 1971 – REVISED OCTOBER 1990

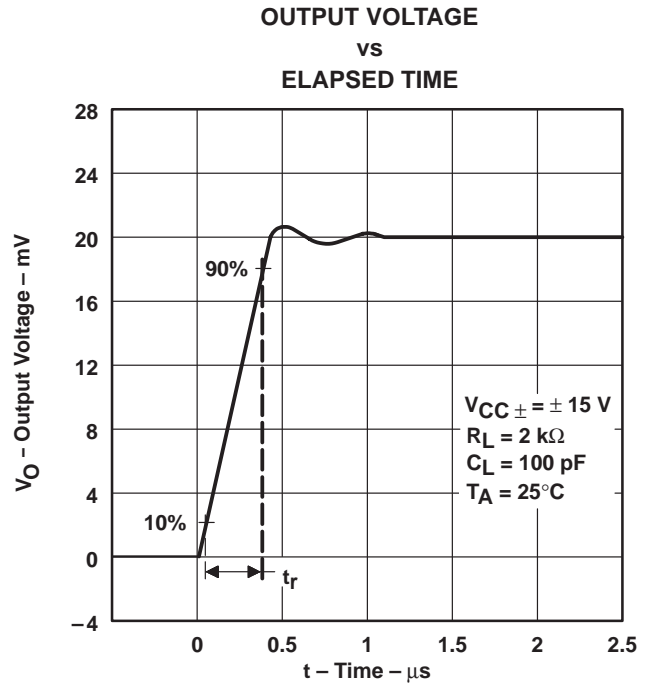
## TYPICAL CHARACTERISTICS



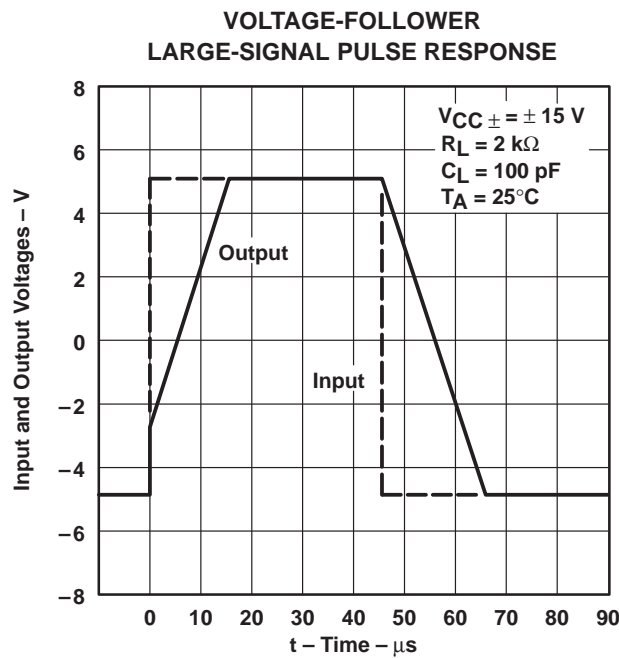
**TYPICAL CHARACTERISTICS**



**Figure 9**



**Figure 10**



**Figure 11**

## IMPORTANT NOTICE

Texas Instruments and its subsidiaries (TI) reserve the right to make changes to their products or to discontinue any product or service without notice, and advise customers to obtain the latest version of relevant information to verify, before placing orders, that information being relied on is current and complete. All products are sold subject to the terms and conditions of sale supplied at the time of order acknowledgement, including those pertaining to warranty, patent infringement, and limitation of liability.

TI warrants performance of its semiconductor products to the specifications applicable at the time of sale in accordance with TI's standard warranty. Testing and other quality control techniques are utilized to the extent TI deems necessary to support this warranty. Specific testing of all parameters of each device is not necessarily performed, except those mandated by government requirements.

CERTAIN APPLICATIONS USING SEMICONDUCTOR PRODUCTS MAY INVOLVE POTENTIAL RISKS OF DEATH, PERSONAL INJURY, OR SEVERE PROPERTY OR ENVIRONMENTAL DAMAGE ("CRITICAL APPLICATIONS"). TI SEMICONDUCTOR PRODUCTS ARE NOT DESIGNED, AUTHORIZED, OR WARRANTED TO BE SUITABLE FOR USE IN LIFE-SUPPORT DEVICES OR SYSTEMS OR OTHER CRITICAL APPLICATIONS. INCLUSION OF TI PRODUCTS IN SUCH APPLICATIONS IS UNDERSTOOD TO BE FULLY AT THE CUSTOMER'S RISK.

In order to minimize risks associated with the customer's applications, adequate design and operating safeguards must be provided by the customer to minimize inherent or procedural hazards.

TI assumes no liability for applications assistance or customer product design. TI does not warrant or represent that any license, either express or implied, is granted under any patent right, copyright, mask work right, or other intellectual property right of TI covering or relating to any combination, machine, or process in which such semiconductor products or services might be or are used. TI's publication of information regarding any third party's products or services does not constitute TI's approval, warranty or endorsement thereof.



This datasheet has been download from:

[www.datasheetcatalog.com](http://www.datasheetcatalog.com)

Datasheets for electronics components.