

## **Contents**

|  |    |
|--|----|
| Features .....                                 | 1  |
| Applications .....                             | 1  |
| Selection Guide .....                          | 2  |
| Block Diagram .....                            | 3  |
| Pin Assignment.....                            | 4  |
| Pin Description .....                          | 4  |
| Absolute Maximum Ratings .....                 | 4  |
| Electrical Characteristics.....                | 5  |
| Measurement Circuits.....                      | 7  |
| Description.....                               | 12 |
| Operation Timing Charts.....                   | 16 |
| Battery Protection IC Connection Example ..... | 18 |
| Precautions.....                               | 19 |
| Dimensions.....                                | 20 |
| Markings.....                                  | 20 |
| Taping .....                                   | 21 |
| Characteristics (typical characteristics)..... | 23 |

---



---

## BATTERY PROTECTION IC (FOR A 3-SERIAL-CELL PACK)      S-8233B SERIES

---



---

The 8233B is a series of lithium-ion rechargeable battery protection ICs incorporating high-accuracy ( $\pm 25$  mV) voltage detection circuits and delay circuits. It is suitable for a 3-serial-cell lithium-ion battery pack.

### ■ Features

- (1) Internal high-accuracy voltage detection circuit
  - ♦ Over charge detection voltage 3.80  $\pm$  0.025 V to 4.40  $\pm$  0.025 V  
5 mV - step
  - ♦ Over charge release voltage 3.45  $\pm$  0.100 V to 4.40  $\pm$  0.100 V  
5 mV - step

(The over charge release voltage can be selected within the range where a difference from over charge detection voltage is 0 to 0.35 V with 50 mV - step)
  - ♦ Over discharge detection voltage 2.00  $\pm$  0.08 V to 2.80  $\pm$  0.08 V  
50 mV - step
  - ♦ Over discharge release voltage 2.00  $\pm$  0.10 V to 4.00  $\pm$  0.10 V  
50.mV - step

(The over discharge release voltage can be selected within the range where a difference from over discharge detection voltage is 0 to 1.2V with 50 mV - step)
  - ♦ Over current detection voltage 1 0.15 V  $\pm$ 10% to 0.50 V  $\pm$ 10%  
50 mV - step
- (2) High input-voltage device (absolute maximum rating: 26 V)
- (3) Wide operating voltage range: 2 V to 24 V
- (4) The delay time for every detection can be set via an external capacitor.
- (5) Three over current detection levels (protection for short-circuiting)
- (6) Internal charge/discharge prohibition circuit via the control terminal
- (7) The function for charging batteries from 0 V is available.
- (8) Low current consumption
  - ♦ Operation 50 $\mu$ A max. (+25°C)
  - ♦ Power-down 0.1 $\mu$ A max. (+25°C)
- (9) 16-pin TSSOP package

### ■ Applications

Lithium-ion rechargeable battery packs

■ Selection Guide

Table1

| Model/Item | Over charge detection voltage | Over charge release voltage | Over discharge detection voltage | Over discharge release voltage | Over current detection voltage <sup>1</sup> | 0V battery charging function | Conditioning function | CTL logic |
|------------|-------------------------------|-----------------------------|----------------------------------|--------------------------------|---|------------------------------|-----------------------|-----------|
| S-8233BAFT | 4.225±0.025V                  | *1                          | 2.30±0.08V                       | 2.70±0.10V                     | 0.20V±10%                                   | Unavailable                  | Available             | normal    |
| S-8233BBFT | 4.325±0.025V                  | 4.10±0.10V                  | 2.30±0.08V                       | 2.70±0.10V                     | 0.20V±10%                                   | Unavailable                  | Unavailable           | reverse   |

\*1) Without over charge detection / release hysteresis.

\*2) The input voltage of CTL for normal condition is changed by the CTL logic. (Please refer description).

Change in the detection voltage is available in products other than the above listed ones. Contact the SII Semiconductor Products Sales Department.

■ Block Diagram

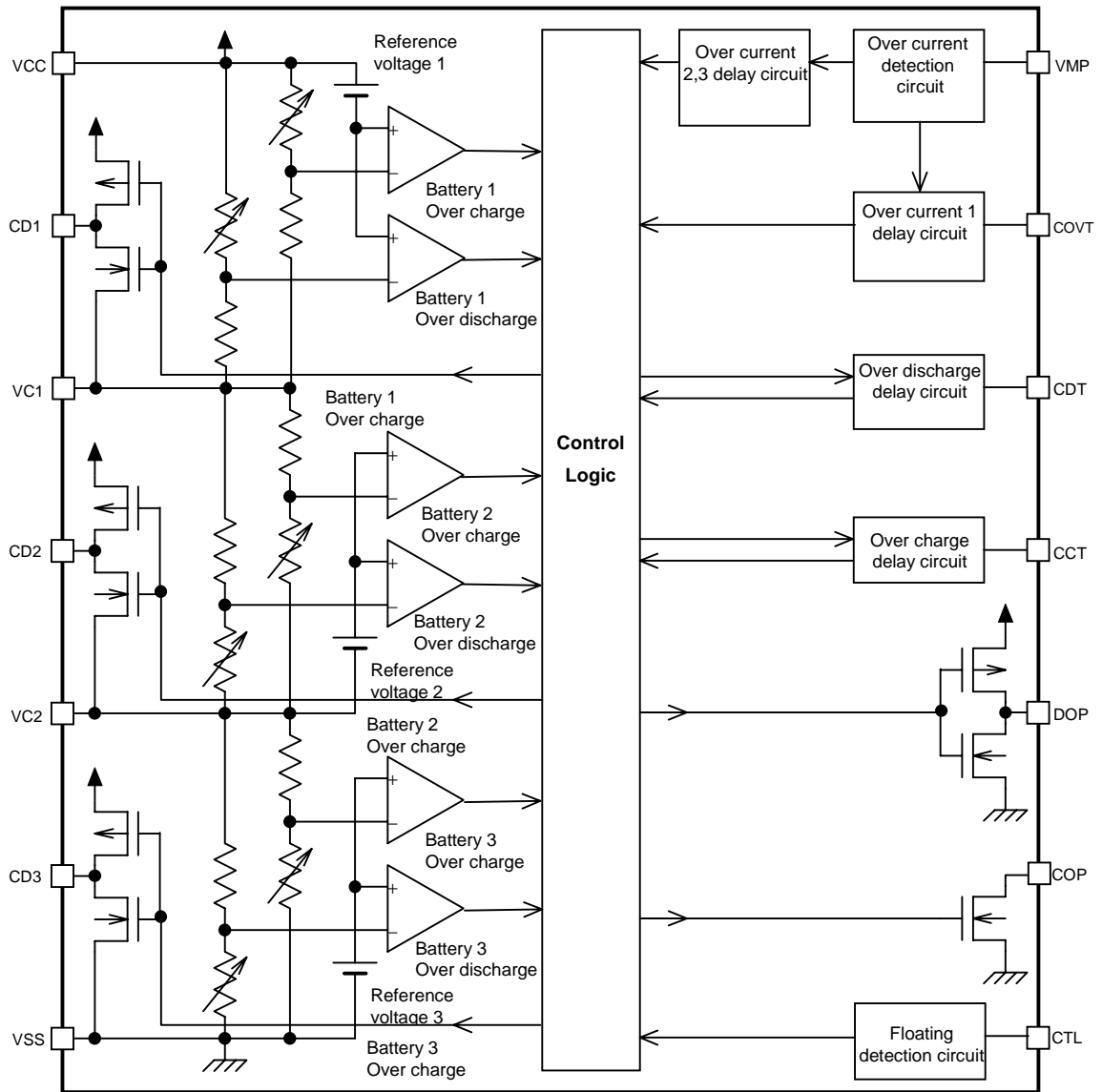
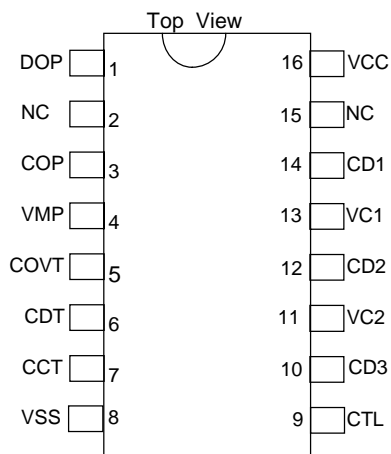


Figure 1

The delay time for over current detection 2 and 3 is fixed by an internal IC circuit. The delay time cannot be changed via an external capacitor.

■ Pin Assignment

■ Pin Description



TSSOP-16  
 Figure 2

Table 2

| No.  | Name | Description  |
|------|------|--|
| 1    | DOP  | Connects FET gate for discharge control (CMOS output)              |
| 3    | COP  | Connects FET gate for charge control (Nch open-drain output)       |
| 4    | VMP  | Detects voltage between VCC to VMP(Over current detection pin)     |
| 5    | COVT | Connects capacitor for over current detection delay circuit        |
| 6    | CDT  | Connects capacitor for over discharge detection delay circuit      |
| 7    | CCT  | Connects capacitor for over charge detection delay circuit         |
| 8    | VSS  | Negative power input, and connects negative voltage for battery 3  |
| 9    | CTL  | Charge/discharge control signal input                              |
| 10   | CD3  | Battery 3 conditioning signal output                               |
| 11   | VC2  | Connects battery 2 negative voltage and battery 3 positive voltage |
| 12   | CD2  | Battery 2 conditioning signal output                               |
| 13   | VC1  | Connects battery 1 negative voltage and battery 2 positive voltage |
| 14   | CD1  | Battery 1 conditioning signal output                               |
| 16   | VCC  | Positive power input and connects battery 1 positive voltage       |
| 2,15 | NC   | Non connect  |

■ Absolute Maximum Ratings

Table 3

Ta = 25°C

| Item                              | Sym. | Applied Pins             | Rating              | Unit |
|-----------------------------------|------|--------------------------|---------------------|------|
| Input voltage between VCC and VSS | VDS  |                          | VSS-0.3 to VSS+26   | V    |
| Input terminal voltage            | VIN  | VC1,VC2,CTL,CCT,CDT,COVT | VSS-0.3 to VCC+0.3  | V    |
| VMP Input terminal voltage        | VVMP | VMP                      | VSS-0.3 to VSS+26   | V    |
| CD1 output terminal voltage       | VCD1 | CD1                      | VC1-0.3 to VCC+0.3  | V    |
| CD2 output terminal voltage       | VCD2 | CD2                      | VC2-0.3 to VCC+0.3  | V    |
| CD3 output terminal voltage       | VCD3 | CD3                      | VSS-0.3 to VCC+0.3  | V    |
| DOP output terminal voltage       | VDOP | DOP                      | VSS-0.3 to VCC+0.3  | V    |
| COP output terminal voltage       | VCOP | COP                      | VSS-0.3 to VVMP+0.3 | V    |
| Power dissipation                 | PD   | TSSOP-16PKG              | 300                 | m W  |
| Operating temperature range       | Topr |                          | -20 to +70          | °C   |
| Storage temperature range         | Tstg |                          | -40 to +125         | °C   |

■ Electrical Characteristics

Table 4

Ta = 25°C

| Item                                  | Symbol | condition | Test circuit | Notice                       | Min.       | Typ.  | Max.       | Unit  |
|---------------------------------------|--------|-----------|--------------|------------------------------|------------|-------|------------|-------|
| <b>Detection voltage</b>              |        |           |              |                              |            |       |            |       |
| Over charge detection voltage1        | VCU1   | 1         | 1            | 3.80 to 4.40 Adjustment      | VCU1-0.025 | VCU1  | VCU1+0.025 | V     |
| Over charge release voltage1          | VCD1   | 1         | 1            | 3.45 to 4.40 Adjustment      | VCD1-0.10  | VCD1  | VCD1+0.10  | V     |
| Over discharge detection voltage1     | VDD1   | 1         | 1            | 2.00 to 2.80 Adjustment      | VDD1-0.08  | VDD1  | VDD1+0.08  | V     |
| Over discharge release voltage1       | VDU1   | 1         | 1            | 2.00 to 4.00 Adjustment      | VDU1-0.10  | VDU1  | VDU1+0.10  | V     |
| Over charge detection voltage 2       | VCU 2  | 2         | 1            | 3.80 to 4.40 Adjustment      | VCU2-0.025 | VCU2  | VCU2+0.025 | V     |
| Over charge release voltage 2         | VCD 2  | 2         | 1            | 3.45 to 4.40 Adjustment      | VCD2-0.10  | VCD2  | VCD2+0.10  | V     |
| Over discharge detection voltage 2    | VDD 2  | 2         | 1            | 2.00 to 2.80 Adjustment      | VDD2-0.08  | VDD2  | VDD2+0.08  | V     |
| Over discharge release voltage 2      | VDU 2  | 2         | 1            | 2.00 to 4.00 Adjustment      | VDU2-0.10  | VDU2  | VDU2+0.10  | V     |
| Over charge detection voltage 3       | VCU 3  | 3         | 1            | 3.80 to 4.40 Adjustment      | VCU3-0.025 | VCU3  | VCU3+0.025 | V     |
| Over charge release voltage 3         | VCD 3  | 3         | 1            | 3.45 to 4.40 Adjustment      | VCD3-0.10  | VCD3  | VCD3+0.10  | V     |
| Over discharge detection voltage 3    | VDD 3  | 3         | 1            | 2.00 to 2.80 Adjustment      | VDD3-0.08  | VDD3  | VDD3+0.08  | V     |
| Over discharge release voltage 3      | VDU 3  | 3         | 1            | 2.00 to 4.00 Adjustment      | VDU3-0.10  | VDU3  | VDU3+0.10  | V     |
| Over current detection voltage1       | VIOV1  | 4         | 2            | (*4)0.15 to 0.50V Adjustment | VIOV1×0.9  | VIOV1 | VIOV1×1.1  | V     |
| Over current detection voltage 2      | VIOV2  | 4         | 2            | VCC Reference                | 0.54       | 0.6   | 0.66       | V     |
| Over current detection voltage 3      | VIOV3  | 4         | 2            | VSS Reference                | 1.0        | 2.0   | 3.0        | V     |
| Voltage temperature factor 1          | TCOE1  |           |              | (*1)Ta=-20 to 70°C           | -1.0       | 0     | 1.0        | mV/°C |
| Voltage temperature factor 2          | TCOE2  |           |              | (*2)Ta=-20 to 70°C           | -0.5       | 0     | 0.5        | mV/°C |
| <b>Delay time</b>                     |        |           |              |                              |            |       |            |       |
| Over charge detection delay time1     | tCU1   | 9         | 6            | CCCT=0.47μF                  | 0.5        | 1.0   | 1.5        | S     |
| Over charge detection delay time 2    | tCU2   | 10        | 6            | CCCT=0.47μF                  | 0.5        | 1.0   | 1.5        | S     |
| Over charge detection delay time 3    | tCU3   | 11        | 6            | CCCT=0.47μF                  | 0.5        | 1.0   | 1.5        | S     |
| Over discharge detection delay time1  | tDD1   | 9         | 6            | CCDT=0.1μF                   | 20         | 40    | 60         | m S   |
| Over discharge detection delay time 2 | tDD2   | 10        | 6            | CCDT=0.1μF                   | 20         | 40    | 60         | m S   |
| Over discharge detection delay time 3 | tDD3   | 11        | 6            | CCDT=0.1μF                   | 20         | 40    | 60         | m S   |
| Over current detection delay time1    | tIOV1  | 12        | 7            | CCOVT=0.1μF                  | 10         | 20    | 30         | m S   |
| Over current detection delay time 2   | tIOV2  | 12        | 7            |                              | 2          | 4     | 8          | m S   |
| Over current detection delay time 3   | tIOV3  | 12        | 7            | FET gate capacitor =2000pF   | 100        | 300   | 550        | μ S   |
| <b>Operating voltage</b>              |        |           |              |                              |            |       |            |       |
| Operating voltage between VCC and VSS | VDSOP  |           |              | (*3)                         | 2.0        | -     | 24         | V     |

| <b>Current consumption</b>  |         |    |    |               |         |      |         |    |
|---|---------|----|----|---------------|---------|------|---------|----|
| Current consumption (during normal operation)                                 | IOPE    | 5  | 3  | V1=V2=V3=3.5V | -       | 20   | 50      | μA |
| Current consumption for cell 1  | ICELL1  | 5  | 3  | V1=V2=V3=3.5V | -300    | 0    | 300     | nA |
| Current consumption for cell 2  | ICELL2  | 5  | 3  | V1=V2=V3=3.5V | -300    | 0    | 300     | nA |
| Current consumption for cell 3  | ICELL3  | 5  | 3  | V1=V2=V3=3.5V | -300    | 0    | 300     | nA |
| Current consumption at power down   | IPDN    | 5  | 3  | V1=V2=V3=1.5V | -       | -    | 0.1     | μA |
| <b>Internal resistance for 0V battery charging function available type.</b>   |         |    |    |               |         |      |         |    |
| Resistance between VCC and VMP  | Rvcm    | 6  | 3  | V1=V2=V3=3.5V | 0.20    | 0.50 | 0.80    | MΩ |
| Resistance between VSS and VMP  | Rvsm    | 6  | 3  | V1=V2=V3=3.5V | 0.20    | 0.50 | 0.80    | MΩ |
| <b>Internal resistance for 0V battery charging function unavailable type.</b> |         |    |    |               |         |      |         |    |
| Resistance between VCC and VMP  | Rvcm    | 6  | 3  | V1=V2=V3=3.5V | 0.40    | 0.90 | 1.40    | MΩ |
| Resistance between VSS and VMP  | Rvsm    | 6  | 3  | V1=V2=V3=3.5V | 0.40    | 0.90 | 1.40    | MΩ |
| <b>Input voltage</b>  |         |    |    |               |         |      |         |    |
| CTL "H" Input voltage   | VCTL(H) |    |    |               | VCC×0.8 | -    | -       | V  |
| CTL "L" Input voltage   | VCTL(L) |    |    |               | -       | -    | VCC×0.2 | V  |
| <b>Output voltage</b>   |         |    |    |               |         |      |         |    |
| D O P "H" voltage   | VDO(H)  | 7  | 4  | Iout=10uA     | VCC-0.5 | -    | -       | V  |
| D O P "L" voltage   | VDO(L)  | 7  | 4  | Iout=10uA     | -       | -    | VSS+0.1 | V  |
| C O P "L" voltage   | VCO(L)  | 8  | 5  | Iout=10uA     | -       | -    | VSS+0.1 | V  |
| C O P OFF LEAK current  | ICOL    | 14 | 9  | V1=V2=V3=4.5V | -       | -    | 100     | nA |
| CD1 "H" voltage   | VCD1(H) | 13 | 8  | Iout=0.1uA    | VCC-0.5 | -    | -       | V  |
| CD1 "L" voltage   | VCD1(L) | 13 | 8  | Iout=10uA     | -       | -    | VC1+0.1 | V  |
| CD 2 "H" voltage  | VCD2(H) | 13 | 8  | Iout=0.1uA    | VCC-0.5 | -    | -       | V  |
| CD 2 "L" voltage  | VCD2(L) | 13 | 8  | Iout=10uA     | -       | -    | VC2+0.1 | V  |
| CD 3 "H" voltage  | VCD3(H) | 13 | 8  | Iout=0.1uA    | VCC-0.5 | -    | -       | V  |
| CD 3 "L" voltage  | VCD3(L) | 13 | 8  | Iout=10uA     | -       | -    | VSS+0.1 | V  |
| <b>0V battery charging function (*5)</b>                                      |         |    |    |               |         |      |         |    |
| 0V charging start voltage   | VOCHAR  | 15 | 10 |               | -       | -    | 1.4     | V  |

- (\*1) Voltage temperature factor 1 indicates over charge detection voltage, over charge release voltage, over discharge detection voltage, and over discharge release voltage.
- (\*2) Voltage temperature factor 2 indicates over current detection voltage.
- (\*3) The DOP and COP logic must be established for the operating voltage.
- (\*4) If over current detection voltage 1 is 0.50 V, both over current detection voltages 1 and 2 are 0.54 to 0.55 V, but VIOV2 > VIOV1.
- (\*5) This spec applies for only 0V battery charging function available type.

■ Measurement Circuits

**Attention!)** At the Measurement circuit from 1 to 15.

If the device's CTL logic is "normal" then set the CTL voltage at VSS (V4=0V).

If the device's CTL logic is "reverse" then set the CTL voltage at VCC (V4=V1+V2+V3).

**(1) Measurement 1 Measurement circuit 1**

Set V1, V2, and V3 to 3.5 V under normal condition. Increase V1 from 3.5 V gradually. The V1 voltage when COP = 'H' is over charge detection voltage 1 (VCU1). Decrease V1 gradually. The V1 voltage when COP = 'L' is over charge release voltage 1 (VCD1). Further decrease V1. The V1 voltage when DOP = 'H' is over discharge voltage 1 (VDD1). Increase V1 gradually. The V1 voltage when DOP = 'L' is over discharge release voltage 1 (VDU1).

**(2) Measurement 2 Measurement circuit 1**

Set V1, V2, and V3 to 3.5 V under normal condition. Increase V2 from 3.5 V gradually. The V2 voltage when COP = 'H' is over charge detection voltage 2 (VCU2). Decrease V2 gradually. The V2 voltage when COP = 'L' is over charge release voltage 2 (VCD2). Further decrease V2. The V2 voltage when DOP = 'H' is over discharge voltage 2 (VDD2). Increase V2 gradually. The V2 voltage when DOP = 'L' is over discharge release voltage 2 (VDU2).

**(3) Measurement 3 Measurement circuit 1**

Set V1, V2, and V3 to 3.5 V under normal condition. Increase V3 from 3.5 V gradually. The V3 voltage when COP = 'H' is over charge detection voltage 3 (VCU3). Decrease V3 gradually. The V3 voltage when COP = 'L' is over charge release voltage 3 (VCD3). Further decrease V3. The V3 voltage when DOP = 'H' is over discharge voltage 3 (VDD3). Increase V3 gradually. The V3 voltage when DOP = 'L' is over discharge release voltage 3 (VDU3).

Note: The voltage change rate is 150 V/sec or less under measuring conditions 1 to 3.

**(4) Measurement 4 Measurement circuit 2**

Set V1, V2, V3 to 3.5 V and V5 to 0 V under normal condition. Increase V5 from 0 V gradually. The V5 voltage when DOP = 'H' and COP = 'H', is over current detection voltage 1 (VIOV1).

Set V1, V2, and V3 to 3.5 V and V5 to 0 V under normal condition. Fix the COVT terminal at VSS, increase V5 from 0 V gradually. The V5 voltage when DOP = 'H' and COP = 'H' is over current detection voltage 2 (VIOV2).

Set V1, V2, and V3 to 3.5 V and V5 to 0 V under normal condition. Fix the COVT terminal at VSS, increase V5 gradually from 0 V at 400 μs to 2 ms. The V5 voltage when DOP = 'H' and COP = 'H' is over current detection voltage 3 (VIOV3).

**(5) Measurement 5 Measurement circuit 3**

Set S1 to ON, V1, V2, and V3 to 3.5 V, and V5 to 0 V under normal condition and measure current consumption. I1 is the normal condition current consumption (IOPE), I2, the cell 2 current consumption (ICELL2), and I3, the cell 3 current consumption (ICELL3).

Set S1 to ON, V1, V2, and V3 to 1.5 V, and V5 to 4.5 V under over discharge condition. Current consumption I1 is power-down current consumption (IPDN).



**(6) Measurement 6 Measurement circuit 3**

Set S1 to ON, V1, V2, and V3 to 3.5 V, and V5 to 10.5 V under normal condition.  $V5/I5$  is the internal resistance between VCC and VMP ( $R_{vcm}$ ).

Set S1 to ON, V1, V2, and V3 to 1.5 V, and V5 to 4.1 V under over discharge condition.  $(4.5-V5)/I5$  is the internal resistance between VSS and VMP ( $R_{vsm}$ ).

**(7) Measurement 7 Measurement circuit 4**

Set S1 to ON, S2 to OFF, V1, V2, and V3 to 3.5 V, and V5 to 0 V under normal condition. Increase V6 from 0 V gradually. The V6 voltage when  $I6 = 10 \mu\text{A}$  is DOP'L' voltage ( $VD0$  (L)).

Set S1 to OFF, S2 to ON, V1, V2, V3 to 3.5 V, and V5 to  $V_{IOV2}+0.1$  V under over current condition. Increase V7 from 0 V gradually. The V7 voltage when  $I7 = 10 \mu\text{A}$  is the DOP'H' voltage ( $VDO$  (H)).

**(8) Measurement 8 Measurement circuit 5**

Set V1, V2, V3 to 3.5 V and V5 to 0 V under normal condition. Increase V6 from 0 V gradually. The V6 voltage when  $I1 = 10 \mu\text{A}$  is the COP'L' voltage ( $VC0$  (L)).

**(9) Measurement 9 Measurement circuit 6**

Set V1, V2, V3 to 3.5 V under normal condition. Increase V1 from 3.5 V to 4.5 V immediately (within 10  $\mu\text{s}$ ). The time after V1 becomes 4.5 V until COP goes 'H' is the over charge detection delay time 1 ( $t_{CU1}$ ).  
Set V1, V2, V3 to 3.5 V under normal condition. Decrease V1 from 3.5 V to 1.9 V immediately (within 10  $\mu\text{s}$ ). The time after V1 becomes 1.9 V until DOP goes 'H' is the over discharge detection delay time 1 ( $t_{DD1}$ ).

**(10) Measurement 10 Measurement circuit 6**

Set V1, V2, V3 to 3.5 V under normal condition. Increase V2 from 3.5 V to 4.5 V immediately (within 10  $\mu\text{s}$ ). The time after V2 becomes 4.5 V until COP goes 'H' is the over charge detection delay time 2 ( $t_{CU2}$ ).

Set V1, V2, V3 to 3.5 V under normal condition. Decrease V2 from 3.5 V to 1.9 V immediately (within 10  $\mu\text{s}$ ). The time after V2 becomes 1.9 V until DOP goes 'H' is the over discharge detection delay time 2 ( $t_{DD2}$ ).

**(11) Measurement 11 Measurement circuit 6**

Set V1, V2, V3 to 3.5 V under normal condition. Increase V3 from 3.5 V to 4.5 V immediately (within 10  $\mu\text{s}$ ). The time after V3 becomes 4.5 V until COP goes 'H' is the over charge detection delay time 3 ( $t_{CU3}$ ).

Set V1, V2, V3 to 3.5 V under normal condition. Decrease V3 from 3.5 V to 1.9 V immediately (within 10  $\mu\text{s}$ ). The time after V3 becomes 1.9 V until DOP goes 'H' is the over discharge detection delay time 3 ( $t_{DD3}$ ).

**(12) Measurement 12 Measurement circuit 7**

Set V1, V2, V3 to 3.5 V and S1 to OFF under normal condition. Increase V5 from 0 V to 0.55 V immediately (within 10  $\mu\text{s}$ ). The time after V5 becomes 0.55 V until DOP goes 'H' is the over current detection delay time 1 ( $t_{IOV1}$ ).

Set V1, V2, V3 to 3.5 V and S1 to OFF under normal condition. Increase V5 from 0 V to 0.75 V immediately (within 10  $\mu\text{s}$ ). The time after V4 becomes 0.75 V until DOP goes 'H' is the over current detection delay time 2 ( $t_{IOV2}$ ).

Set S1 to ON to inhibit over discharge detection. Set V1, V2, V3 to 4.0 V and increase V5 from 0 V to

6.0 V immediately (within 1  $\mu$ s) and decrease V1, V2, and V3 to 2.0 V at a time. The time after V5 becomes 6.0 V until DOP goes 'H' is the over current detection delay time 3 (tIOV3).

**(13) Measurement 13 Measurement circuit 8**

Set S4 to ON, S1, S2, S3, S5, and S6 to OFF, V1, V2, V3 to 3.5 V and V6, V7, and V8 to 0 V under normal condition. Increase V5 from 0 V gradually. The V5 voltage when I5 = 10  $\mu$ A is the CD1'L' voltage (CD1(L)).

Set S5 to ON, S1, S2, S3, S4, and S6 to OFF, V1, V2, and V3 to 3.5 V and V5, V7, and V8 to 0 V under normal condition. Increase V6 from 0 V gradually. The V6 voltage when I6 = 10  $\mu$ A is the CD2'L' voltage (VCD2(L)).

Set S6 to ON, S1, S2, S3, S4, and S5 to OFF, V1, V2, and V3 to 3.5 V and V5, V6, and V8 to 0 V under normal condition. Increase V7 from 0 V gradually. The V7 voltage when I7 = 10  $\mu$ A is the CD3'L' voltage (VCD3(L)).

Set S1 to ON, S2, S3, S4, S5, and S6 to OFF, V1 to 4.5 V, V2 and V3 to 3.5 V and V5, V6, and V7 to 0 V under over charge condition. Increase V8 from 0 V gradually. The V8 voltage when I8 = 0.1  $\mu$ A is the CD1'H' voltage (VCD1(H)).

Set S2 to ON, S1, S3, S4, S5, and S6 to OFF, V2 to 4.5 V, V1 and V3 to 3.5 V and V5, V6, and V7 to 0 V under over charge condition. Increase V4 from 0 V gradually. The V4 voltage when I1 = 0.1  $\mu$ A is the CD2'H' voltage (VCD2(H)).

Set S3 to ON, S1, S2, S4, S5, and S6 to OFF, V3 to 4.5 V, V1 and V2 to 3.5 V and V5, V6, and V7 to 0 V under over charge condition. Increase V8 from 0 V gradually. The V8 voltage when I8 = 0.1  $\mu$ A is the CD3'H' voltage (VCD3(H)).

**(14) Measurement 14 Measurement circuit 9**

Set V1, V2, and V3 to 4.5 V under over charge condition. The current I1 flowing to COP terminal is COP OFF LEAK current (ICOL).

**(15) Measurement 15 Measurement circuit 10**

Set V1, V2, and V3 to 0 V, and V5 to 2 V, and decrease V5 gradually. The V5 voltage when COP = 'H' (VSS + 0.3 V or higher) is the 0V charge start voltage (V0CHAR).

**(16) Measurement 16 Measurement circuit 1 ( Measurement will be changed by the CTL logic! )**

**If the CTL logic is “normal”**

Set V1, V2, and V3 to 3.5 V, and V4 to 0 V, and increase V4 gradually. The V4 voltage when COP = 'H' (VSS + 0.3 V or higher) and DOP = 'H' (VSS + 0.3 V or higher) is the CTL'H' input voltage {VCTL(H)}.

After that decrease V4 gradually. The V4 voltage when COP = 'L' (VCC - 0.3 V or lower) and DOP = 'L' (VCC - 0.3 V or lower) is the CTL'L' input voltage {VCTL(L)}.

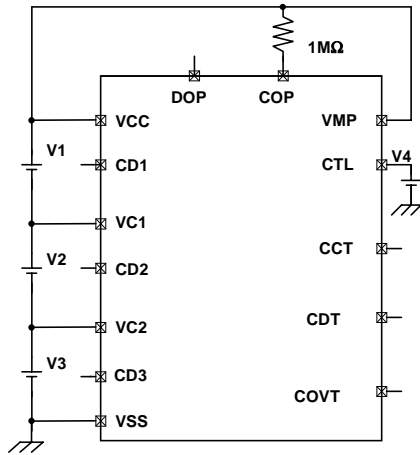
**If the CTL logic is “reverse”**

Set V1, V2, and V3 to 3.5 V, and V4 to 10.5 V, and decrease V4 gradually. The V4 voltage when COP = 'H' (VSS + 0.3 V or higher) and DOP = 'H' (VSS + 0.3 V or higher) is the CTL'L' input voltage {VCTL(L)}.

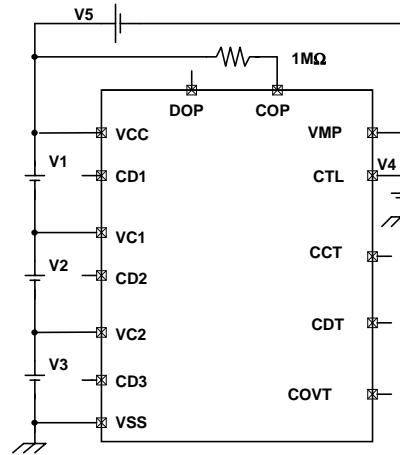
After that increase V4 gradually. The V4 voltage when COP = 'L' (VCC - 0.3 V or lower) and DOP = 'L' (VCC - 0.3 V or lower) is the CTL'H' input voltage {VCTL(H)}.

**Notice : If the CTL logic is “normal” (S-8233BA) then CTL=VSS (V4=0V).**

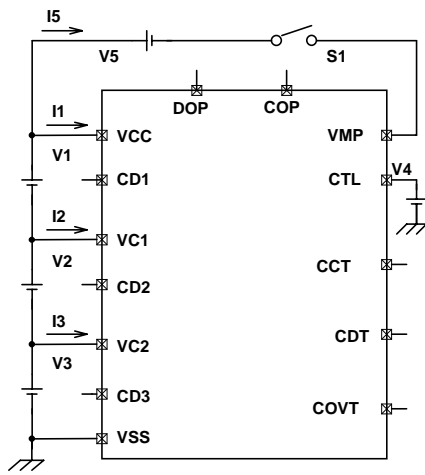
**If the CTL logic is “reverse” (S-8233BB) then CTL=VCC (V4=V1+V2+V3).**



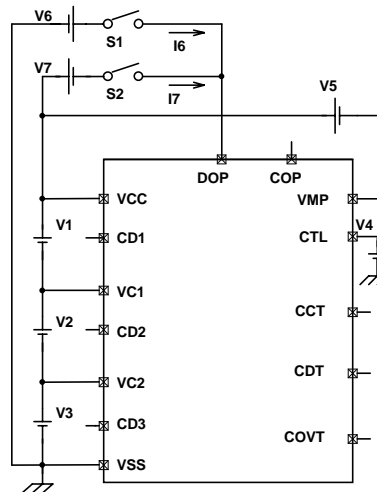
Measurement circuit 1



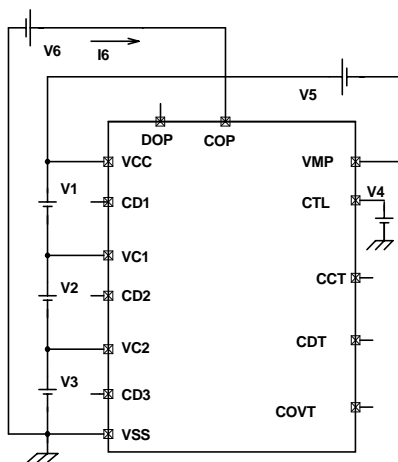
Measurement circuit 2



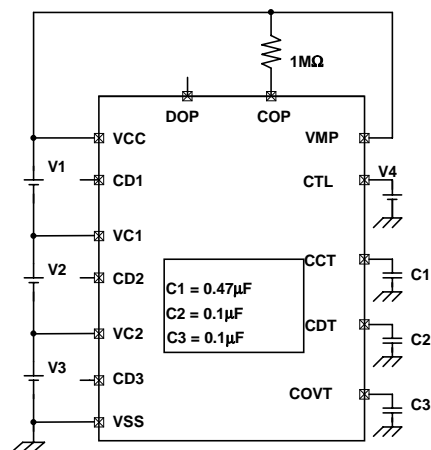
Measurement circuit 3



Measurement circuit 4

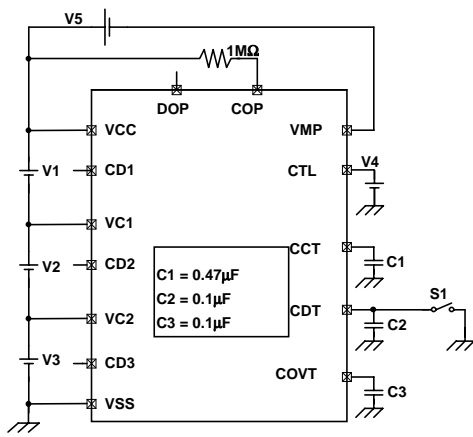


Measurement circuit 5

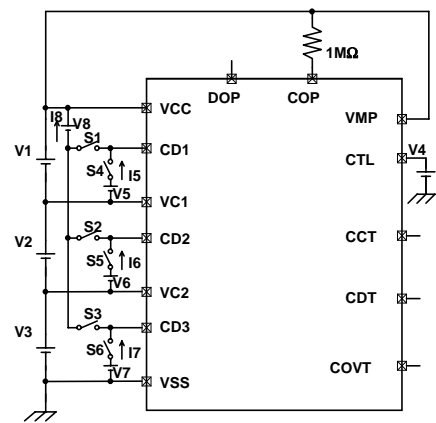


Measurement circuit 6

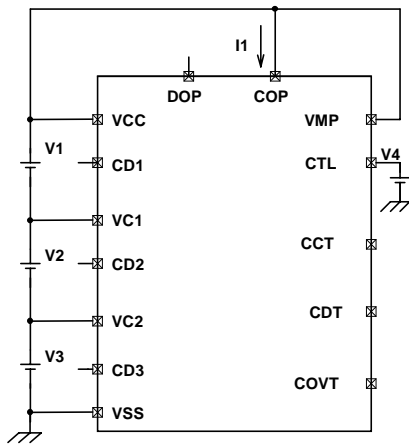
21 August, 1997



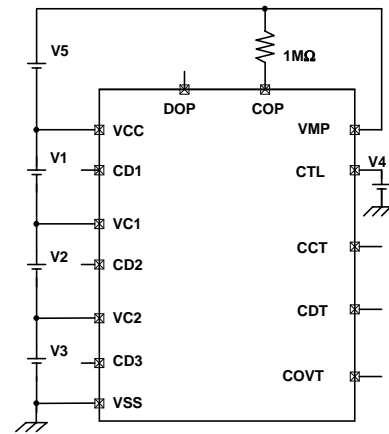
Measurement circuit 7



Measurement circuit 8



Measurement circuit 9



Measurement circuit 10

## ■ Description

### Normal condition

This IC monitors the voltages of the three serially-connected batteries and the discharge current to control charging and discharging. If the voltages of all the three batteries are in the range from the over discharge detection voltage (VDD) to the over charge detection voltage (VCU), and the current flowing through the batteries becomes equal or lower than a specified value (the VMP terminal voltage is equal or lower than over current detection voltage 1), the charging and discharging FETs turn on. In this condition, charging and discharging can be carried out freely. This condition is called the normal condition. In this condition, the VMP and VCC terminals are shorted by the Rvcm resistor.

### Over current condition

This IC is provided with the three over current detection levels (VIOV1,VIOV2 and VIOV3) and the three over current detection delay time (TIOV1,TIOV2 and TIOV3) corresponding to each over current detection level.

If the discharging current becomes equal to or higher than a specified value (the VMP terminal voltage is equal to or higher than the over current detection voltage) during discharging under normal condition and it continues for the over current detection delay time (TIOV) or longer, the discharging FET turns off to stop discharging. This condition is called an over current condition. The VMP and VCC terminals are shorted by the Rvcm resistor at this time. The charging FET turns off.

When the discharging FET is off and a load is connected, the VMP terminal voltage equals the VSS potential.

The over current condition returns to the normal condition when the load is released and the impedance between the EB- and EB+ terminals (see Figure 7 for a connection example) is 100MΩ or higher.

When the load is released, the VMP terminal, which and the VCC terminal are shorted with the Rvcm resistor, goes back to the VCC potential. The IC detects that the VMP terminal potential returns to over current detection voltage 1 (VIOV1) or lower (or the over current detection voltage 2 (VIOV2) or lower if the COVT terminal is fixed at the 'L' level and over current detection 1 is inhibited) and returns to the normal condition.

### Over charge condition

If one of the battery voltages becomes higher than the over charge detection voltage (VCU) during charging under normal condition and it continues for the over charge detection delay time (TCU) or longer, the charging FET turns off to stop charging. This condition is called the over charge condition. The 'H' level signal is output to the conditioning terminal corresponding to the battery which exceeds the over charge detection voltage until the battery becomes equal to lower than the over charge release voltage (VCD). The battery can be discharged by connecting an Nch FET externally. The discharging current can be limited by inserting R11, R12 and R13 resistors (see Figure 7 for a connection example). The VMP and VCC terminals are shorted by the Rvcm resistor under the over charge condition.

The over charge condition is released in two cases:

- 1) The battery voltage which exceeded the over charge detection voltage (VCU) falls below the over charge release voltage (VCD), the charging FET turns on and the normal condition returns.
- 2) If the battery voltage which exceeded the over charge detection voltage (VCU) is equal or higher than the over charge release voltage (VCD), but the charger is removed, a load is placed, and discharging starts, the charging FET turns on and the normal condition returns.

The release mechanism is as follows: the discharge current flows through an internal parasitic diode of the charging FET immediately after a load is installed and discharging starts, and the VMP terminal voltage decreases by about 0.6 V from the VCC terminal voltage momentarily. The IC detects this voltage (over current detection voltage 1 or higher), releases the over charge condition and returns to the normal condition.

**Over discharge condition**

If any one of the battery voltages falls below the over discharge detection voltage (VDD) during discharging under normal condition and it continues for the over discharge detection delay time (TDD) or longer, the discharging FET turns off and discharging stops. This condition is called the over discharge condition. When the discharging FET turns off, the VMP terminal voltage becomes equal to the VSS voltage and the IC's current consumption falls below the power-down current consumption (IPDN). This condition is called the power-down condition. The VMP and VSS terminals are shorted by the Rvsm resistor under the over discharge and power-down conditions.

The power-down condition is canceled when the charger is connected and the voltage between VMP and VSS is 3.0 V or higher (over current detection voltage 3). When all the battery voltages becomes equal to or higher than the over discharge release voltage (VDU) in this condition, the over discharge condition changes to the normal condition.

**Delay circuits**

The over charge detection delay time (TCU1 to TCU3), over discharge detection delay time (TDD1 to TDD3), and over current detection delay time 1 (TIOV1) are changed with external capacitors (C4 to C6).

The delay times are calculated by the following equations:

|          | Min                                       | Typ. | Max. |
|----------|---|------|------|
| TCU[S]   | =Delay factor ( 1.07, 2.13, 3.19)×C4 [uF] |      |      |
| TDD[S]   | =Delay factor ( 0.20, 0.40, 0.60)×C5 [uF] |      |      |
| TIOV1[S] | =Delay factor ( 0.10, 0.20, 0.30)×C6 [uF] |      |      |

Note: The delay time for over current detection 2 and 3 is fixed by an internal IC circuit. The delay time cannot be changed via an external capacitor.

**CTL terminal**

[If the CTL logic is “normal”]<S-8233BA>

If the CTL terminal is floated under normal condition, it is pulled up to the VCC potential in the IC, and both the charging and discharging FETs turn off to inhibit charging and discharging. Both charging and discharging are also inhibited by applying the VCC terminal to the CTL terminal externally. At this time, the VMP and VCC terminals are shorted by the Rvcm resistor.

When the CTL terminal becomes equal to VSS potential, charging and discharging are enabled and go back to their appropriate conditions for the battery voltages.

[If the CTL logic is “reverse”]<S-8233BB>

When the CTL terminal becomes equal to VSS potential, both the charging and discharging FETs turn off to inhibit charging and discharging. If the CTL terminal is floated under normal condition, charging and discharging are enabled and go back to their appropriate conditions for the battery voltages.

Table.5 Output voltage & current consumption by CTL terminal voltage.

| Statements                      |                     | Normal &Over voltage state  |                             | Power down mode(Without charger) |          |         |
|---------------------------------|---------------------|-----------------------------|-----------------------------|----------------------------------|----------|---------|
|                                 |                     | High & Floated              | Low                         | High                             | Low      | Floated |
| CTL logic "normal"<br>S-8233BA  | COP                 | High                        | Comply with battery voltage | High                             | Low      | Unknown |
|                                 | DOP                 | High                        | Comply with battery voltage | High                             | High     | High    |
|                                 | Current consumption | Typ.20μA                    | Typ.20μA                    | Typ. 1nA                         | Typ. 1nA | Unknown |
| CTL logic "reverse"<br>S-8233BB | COP                 | Comply with battery voltage | High                        | Low                              | High     | Unknown |
|                                 | DOP                 | Comply with battery voltage | High                        | High                             | High     | High    |
|                                 | Current consumption | Typ.20μA                    | Typ.20μA                    | Typ. 1nA                         | Typ. 1nA | Unknown |

**0V battery charging function**

This function is used to recharge the three serially-connected batteries after they self-discharge to 0V. When the 0V charging start voltage (VOCHAR) or higher is applied to between VMP and VSS by connecting the charger, the charging FET gate is fixed to VSS potential.

When the voltage between the gate sources of the charging FET becomes equal to or higher than the turn-on voltage by the charger voltage, the charging FET turns on to start charging. At this time, the discharging FET turns off and the charging current flows through the internal parasitic diode in the discharging FET. If all the battery voltages become equal to or higher than the over discharge release voltage (VDU), the normal condition returns.

Notes: In the products without 0V battery charging function, the resistance between VCC and VMP and between VSS and VMP are lower than the products with 0V battery charging function. It causes to that over charge detection voltage increases by the drop voltage of R5 (see Figure 7 for a connection example) with sink current at VMP.

The COP output is undefined below 2.0V on VCC-VSS voltage in the products without 0V battery charging function.

**Voltage temperature factor**

Voltage temperature factor 1 indicates over charge detection voltage, over charge release voltage, over discharge detection voltage, and over discharge release voltage.

Voltage temperature factor 2 indicates over current detection voltage.

The Voltage temperature factors 1 and 2 are expressed by the oblique line parts in Figure 3.

Ex. Voltage temperature factor of over charge detection voltage

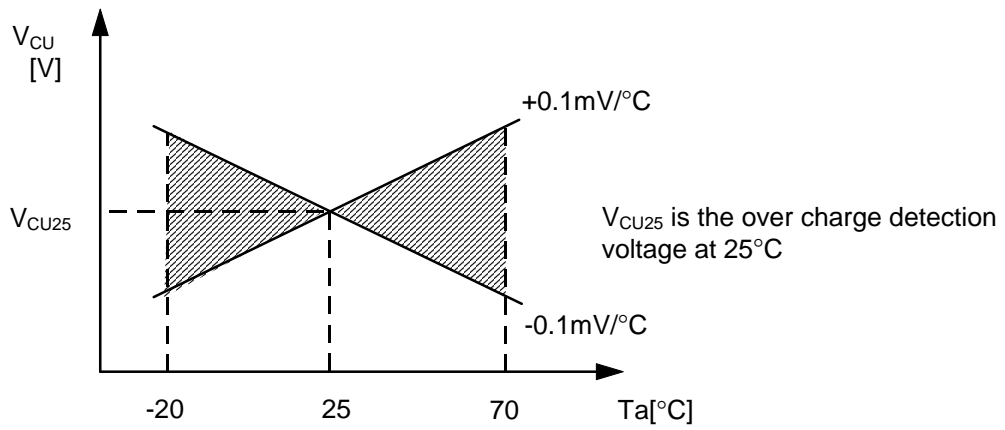


Figure 3



■ Operation Timing Charts

1. Over charge detection

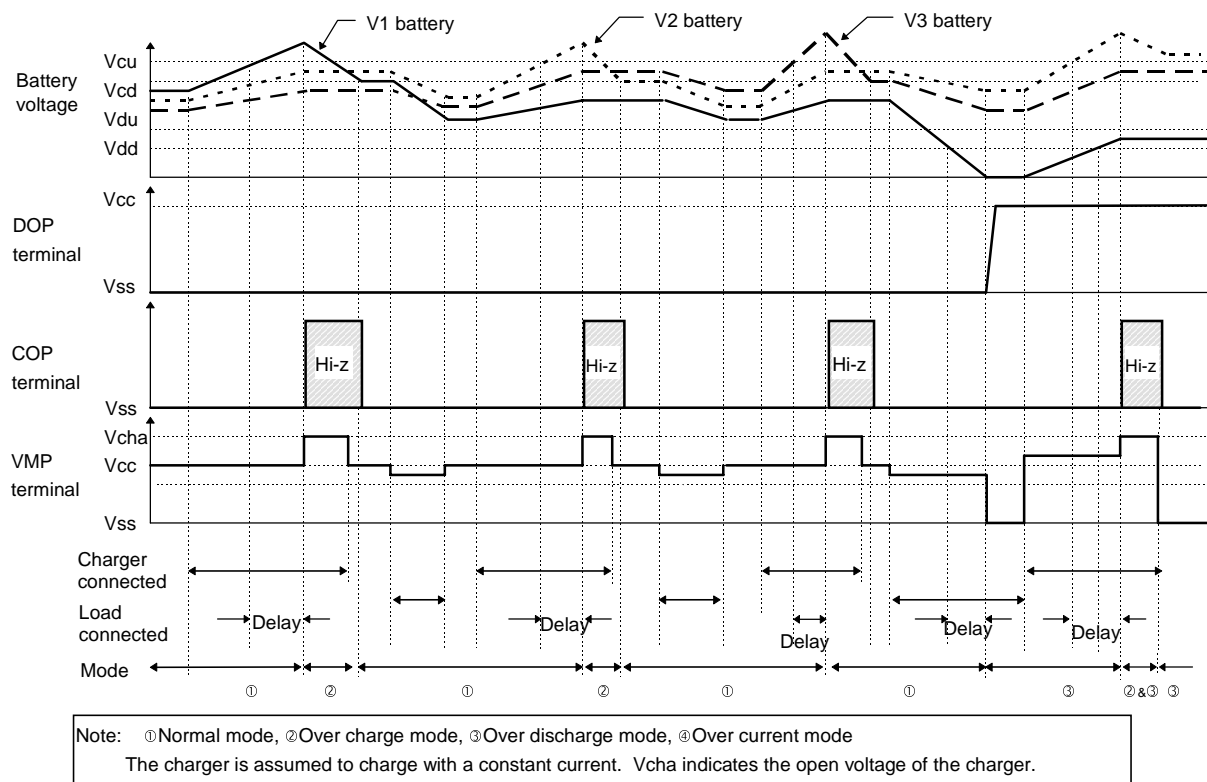


Figure 4

2. Over discharge detection

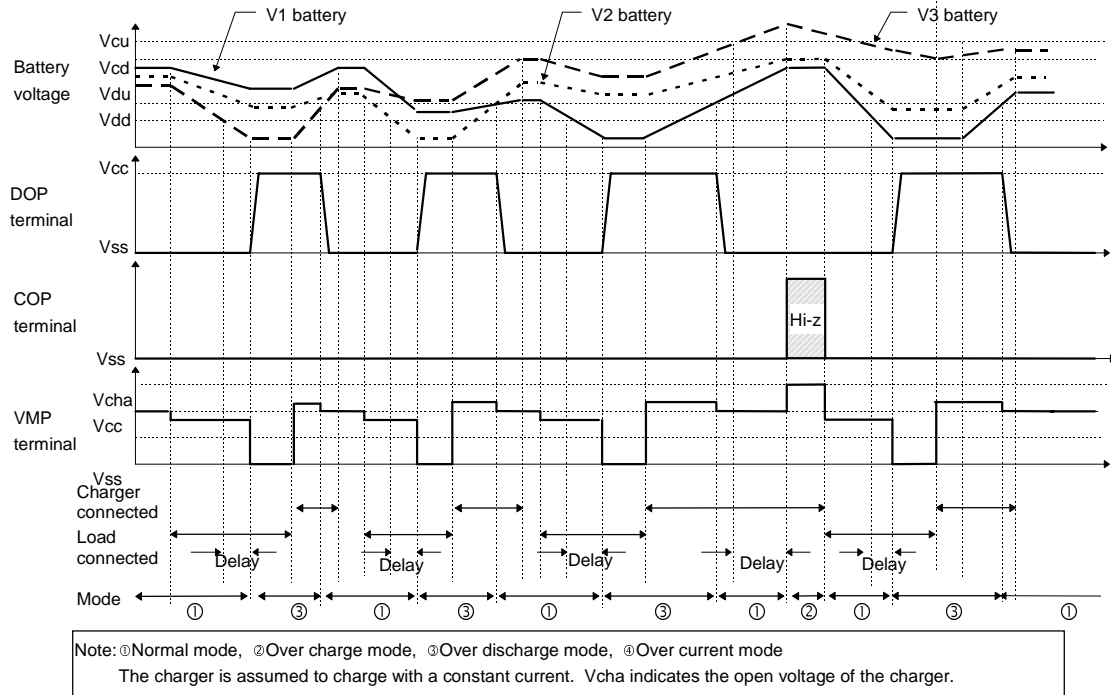


Figure 5

3. Over current detection

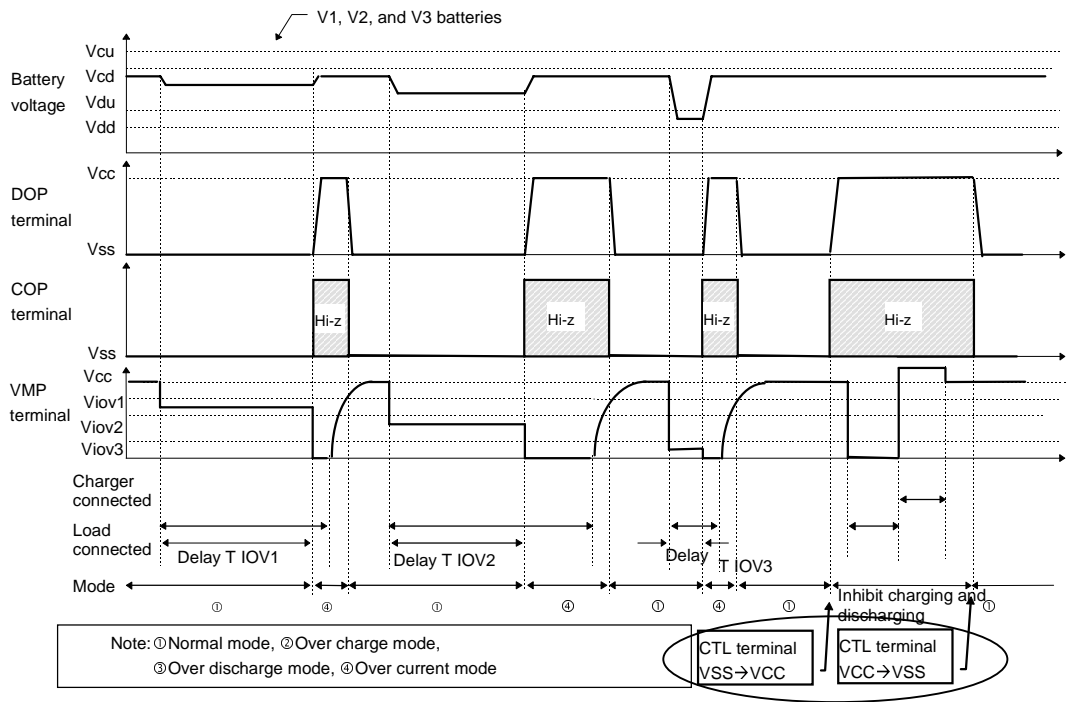


Figure 6

If the CTL logic is "reverse", it will be exchanged VCC for VSS.

■ Battery Protection IC Connection Example

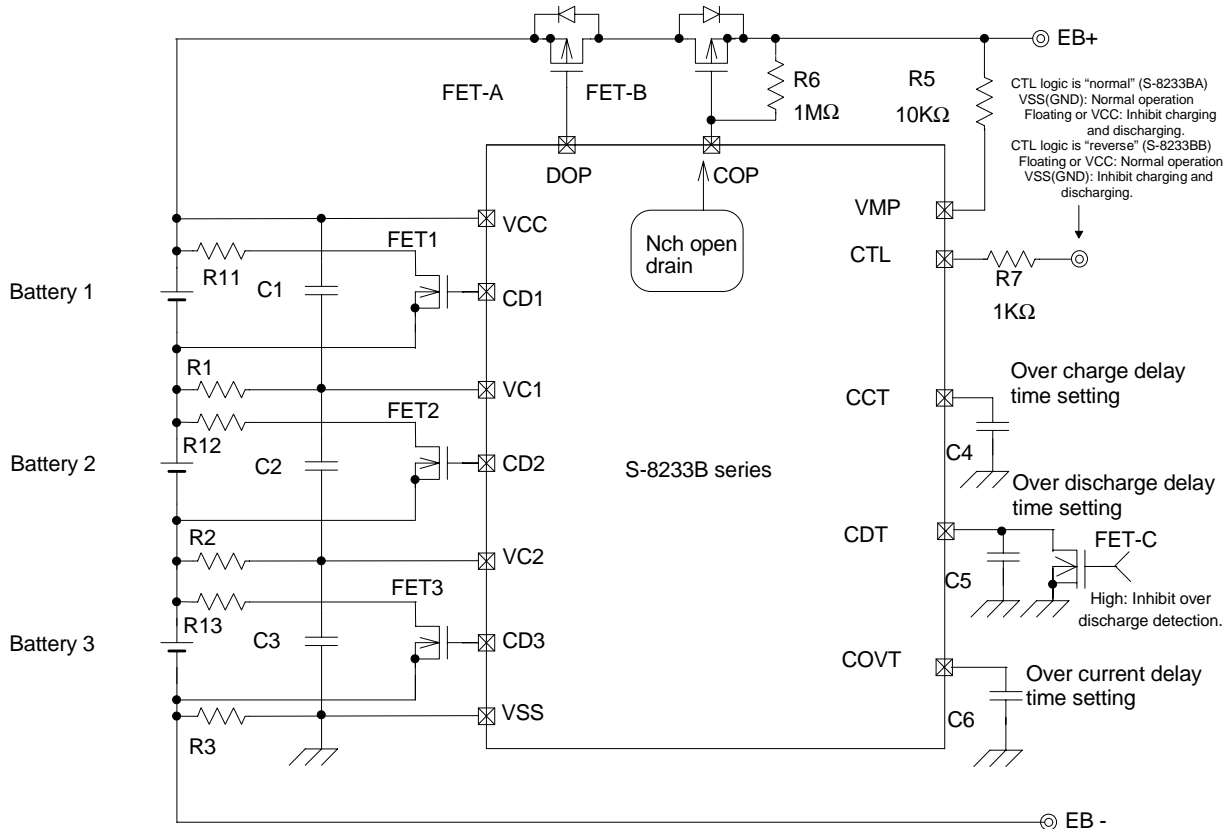


Figure 7

[Description of Figure 7]

- R11, R12, and R13 are used to adjust the battery conditioning current. The conditioning current during over charge detection is given by  $V_{cu} / R$  ( $V_{cu}$ : over charge detection voltage/R: resistance). To disable the conditioning function, open CD1, CD2, and CD3.
- The over charge detection delay time ( $t_{CU1}$  to  $t_{CU3}$ ), over discharge detection delay time ( $t_{DD1}$  to  $t_{DD3}$ ), and over current detection delay time ( $t_{IOV1}$ ) are changed with external capacitors (C4 to C6). See the electrical characteristics.
- R6 is a pull-up resistor that turns FET-B off when the COP terminal is opened. Connect a 100kΩ to 1 MΩ resistor.
- R5 is used to protect the IC if the charger is connected in reverse. Connect a 10 kΩ to 50 kΩ resistor.
- If capacitor C6 is absent, rush current occurs when a capacitive load is connected and the IC enters the over current mode. C6 must be connected to prevent it.
- If capacitor C5 is not connected, the IC may enter the over discharge condition due to variations of battery voltage when the over current occurs. In this case, a charger must be connected to return to the normal condition. To prevent this, connect an at least 0.01μF capacitor to C5.
- If a leak current flows between the delay capacitor connection terminal (CCT, CDT, or COVT) and VSS, the delay time increases and an error occurs. The leak current must be 100 nA or less.
- Over discharge detection can be disabled by using FET-C. The FET-C off leak must be 0.1 μA or less. If over discharge is inhibited by using this FET, the current consumption does not fall below 0.1 μA even when the battery voltage drops and the IC enters the over discharge detection mode.
- R1, R2, and R3 must be 1kΩ or less.
- R7 is the protection of the CTL when the CTL terminal voltage higher than VCC voltage. Connect a 300 Ω to 5 k Ω resistor. If the CTL terminal voltage never greater than the VCC voltage (ex. R7 connect to VSS), without R7 resistance is allowed .

Notes:

- If any electrostatic discharge of 2000 V or higher is not applied to the S-8233B series with a human body model, R1, R2, R3, C1, C2, and C3 are unnecessary.
- The above connection diagram and constants do not guarantee proper operations. Evaluate your actual application and set constants properly.

## ■ Precautions

- If a charger is connected in the over discharge condition and one of the battery voltages becomes equal to or higher than the over charge release voltage (VCU) before the battery voltage which is below the over discharge detection voltage (VDD) becomes equal to or higher than the over discharge release voltage (VDU), the over discharge and over charge conditions are entered and the charging and discharging FETs turn off. Both charging and discharging are disabled. If the battery voltage which was higher than the over charge detection voltage (VCU) falls to the over charge release voltage (VCD) due to internal discharging, the charging FET turns on. If the charger is detached in the over charge and over discharge condition, the over charge condition is released, but the over discharge condition remains. If the charger is connected again, the battery condition is monitored after that. The charging FET turns off after the over charge detection delay time, the over charge and over discharge conditions are entered.
- If any one of the battery voltages is equal to or lower than the over discharge release voltage (VDU) when they are connected for the first time, the normal condition may not be entered. If the VMP terminal voltage is made equal to or higher than the VCC voltage (if a charger is connected), the normal condition is entered.
- If the CTL terminal floats in power-down mode, it is not pulled up in the IC, charging may not be inhibited. However, the over discharge condition becomes effective. At that time, current consumption would be increase because CTL terminal is affected by noise. If the charger is connected, the CTL terminal is pulled up, and charging and discharging are inhibited immediately.

■ Dimensions

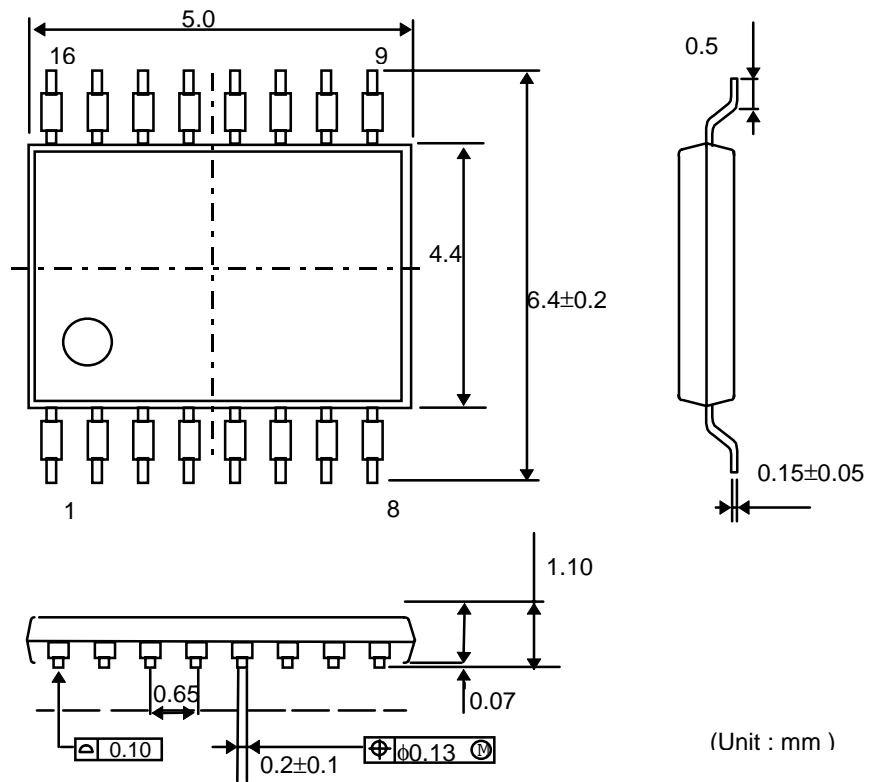
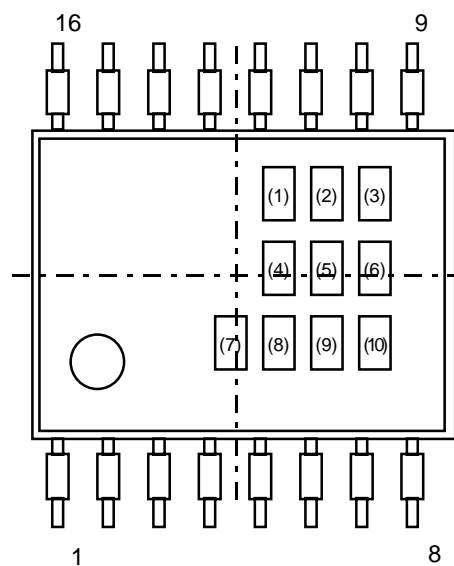


Figure 8

■ Markings



- (1) : U fix
- (2) : Assembly year (last digit of the year)
- (3) : Assembly month (1 to 9, X, Y, Z)
- (4) to (10) : Product name

Figure 9

■ Taping

1. Tape specifications

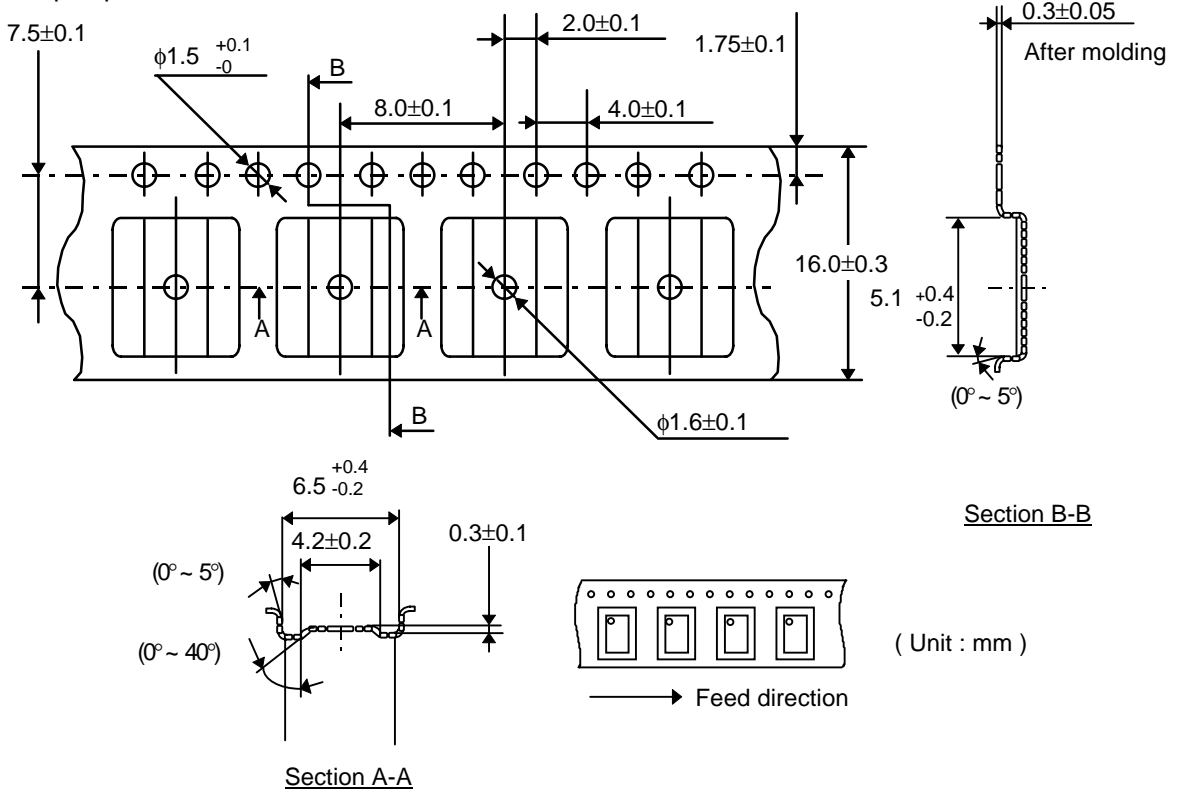


Figure 9

2. Reel specifications

One reel holds 2000 ICs.

External reel diameter

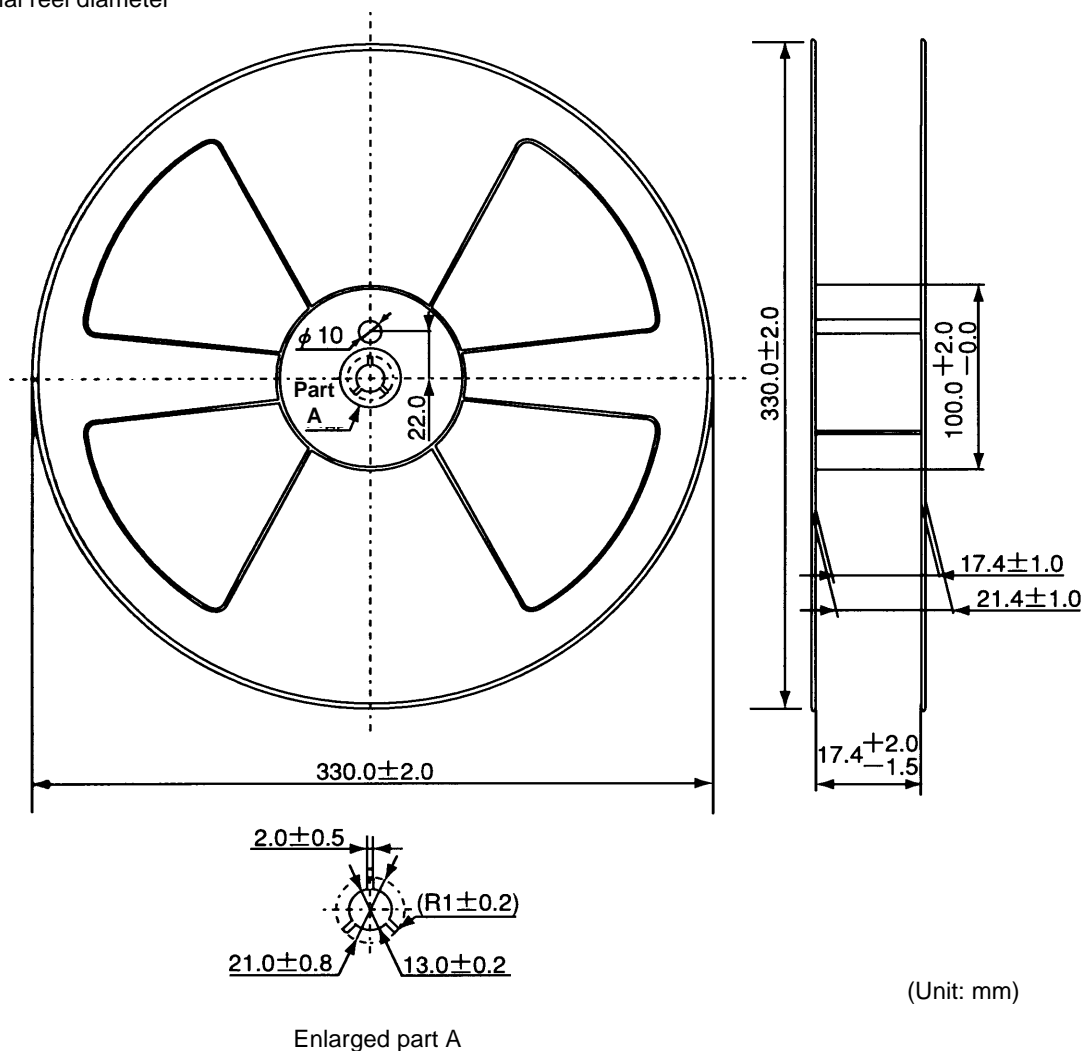
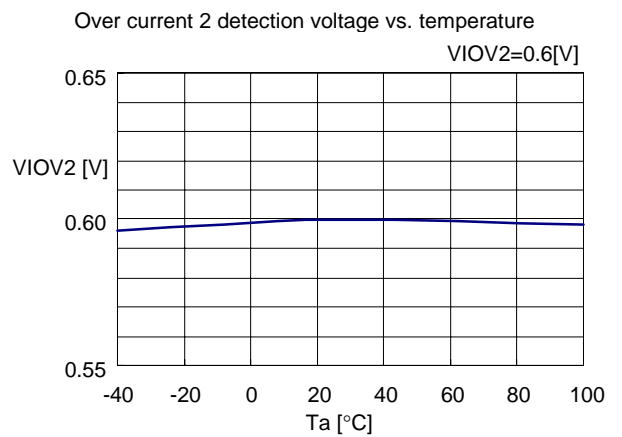
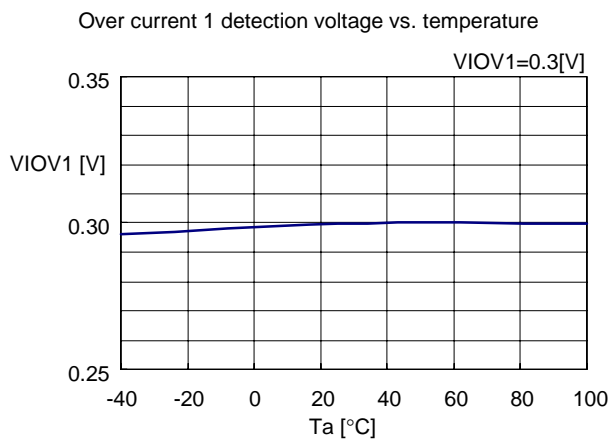
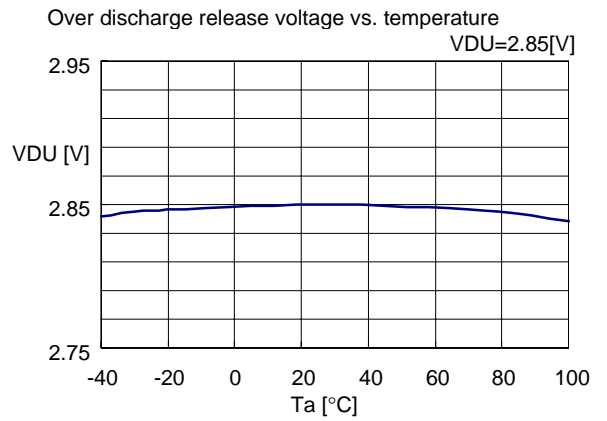
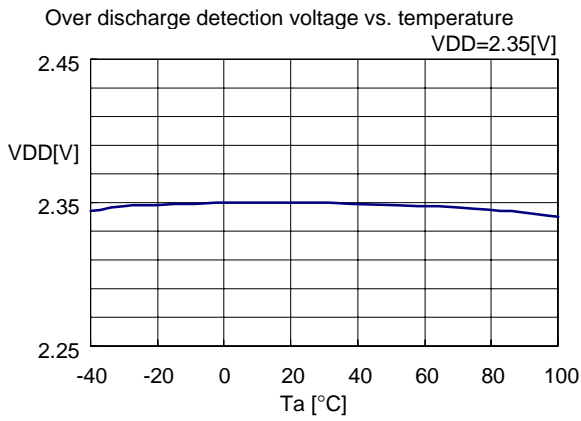
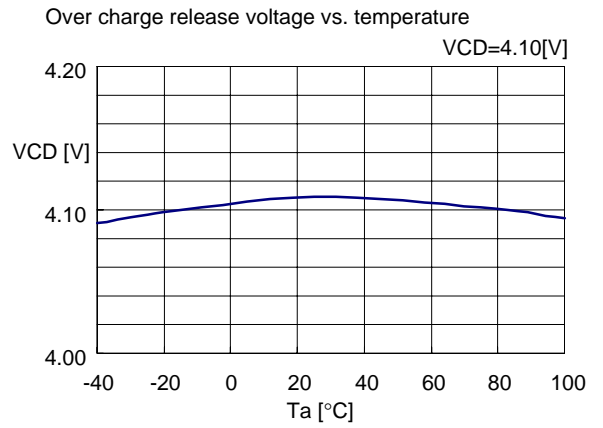
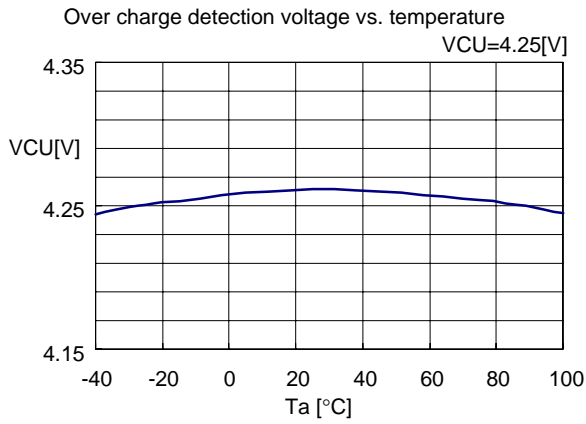


Figure 11

■ Characteristics (typical characteristics)

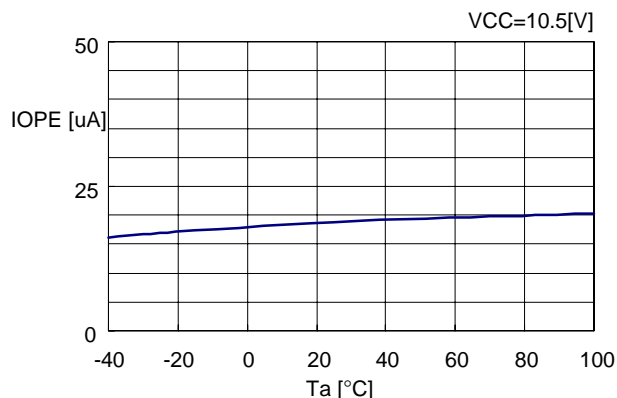
Detection voltage temperature characteristics



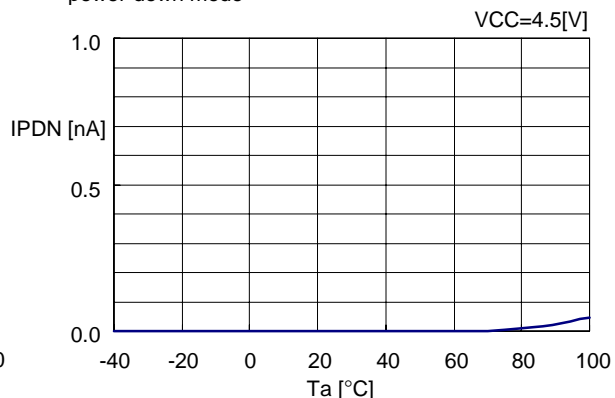


2. Current consumption temperature characteristics

Current consumption vs. temperature in normal mode

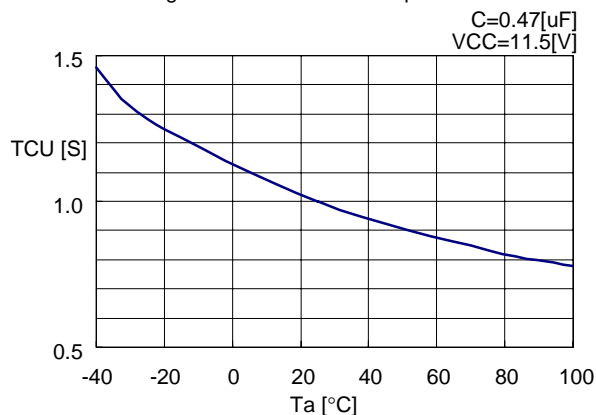


Current consumption vs. temperature in power-down mode

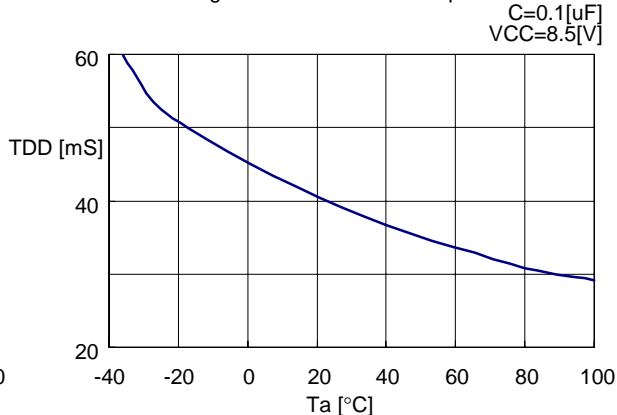


3. Delay time temperature characteristics

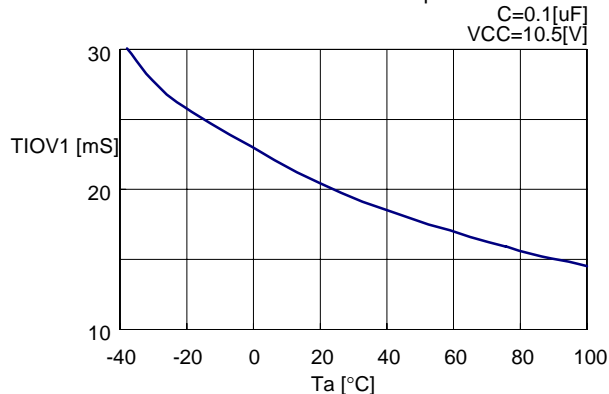
Over charge detection time vs. temperature



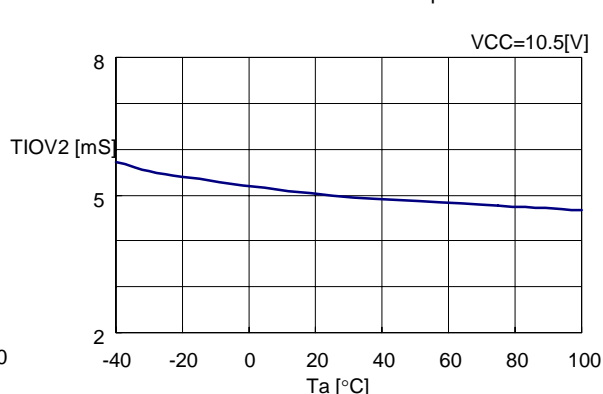
Over discharge detection time vs. temperature



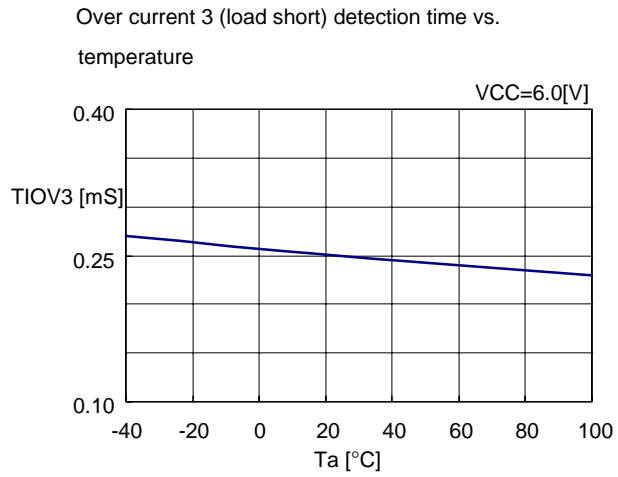
Over current 1 detection time vs. temperature



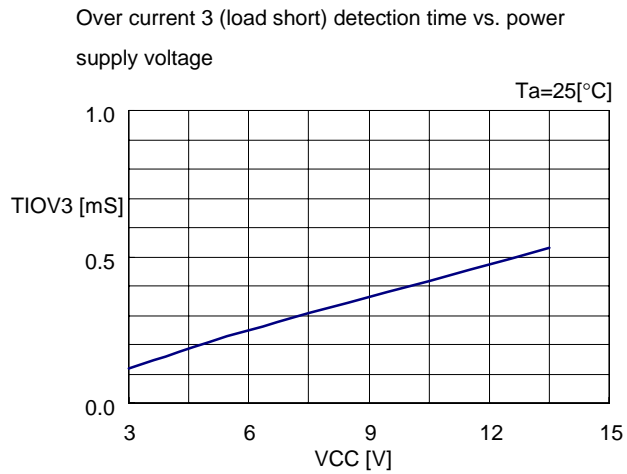
Over current 2 detection time vs. temperature



21 August, 1997



#### 4. Delay time vs. power supply voltage



\* Please design all applications of the S-8233 Series with safety in mind.