

# ACTUATOR LA30



**LA30 : 12/24V DC. Max. thrust 3500 N**

**LA30L : 24V DC. Max. thrust 6000 N (LA30LK)**

#### Features:

- 12/24V DC permanent magnet motor
- Max. thrust up to 6000 N (LA30LK)
- Stainless steel piston rod
- Duty cycle: Max. 10% or 6 min/hour at continuous use
- Ambient temperature +5° to +40°C
- Elegant and compact construction with small installation dimensions
- Protection class: IP51 / IP66
- Colour: black
- Speed max. 52 mm/s (LA30S with 9 mm pitch)
- Low noise level
- Steel construction for all bearing parts
- Acme thread spindle for optimum efficiency

#### Options:

- Extra powerful motor (S-motor)
- L-motor for system actuator
- IP66 (by ordering LA30 with plastic housing)
- Double-acting brake - increased self-locking ability (LA30 with 6 or 9 mm pitch + LA30S with 6 or 9 mm pitch and LA30L) which ensures that all these types are fully self-locking.
- Potentiometer for positioning the actuator. 0-1 K ohm, 0-5 K ohm or 0-10 K ohm.
- Optical encoder for positioning the actuator. 10 pulses pr. spindle revolution.
- Reed switch (only LA30L versions): 8 pulses pr. spindle revolution.
- Mechanical spline function. Safety feature by using the mechanical spline. The actuator can only push.
- Safety nut (only in push)

LA30 is a powerful actuator yet small enough to fit to most applications.

The actuator can be supplied with options such as built-in potentiometer for servo operation or extra powerful motor for increased speed and strength (S-motor).

In addition to industrial and agricultural applications, the actuator is also ideal for positioning satellite dishes.

The system actuator LA30L (option) can be combined with LINAK control boxes and it is perfect for a variety of furniture applications.

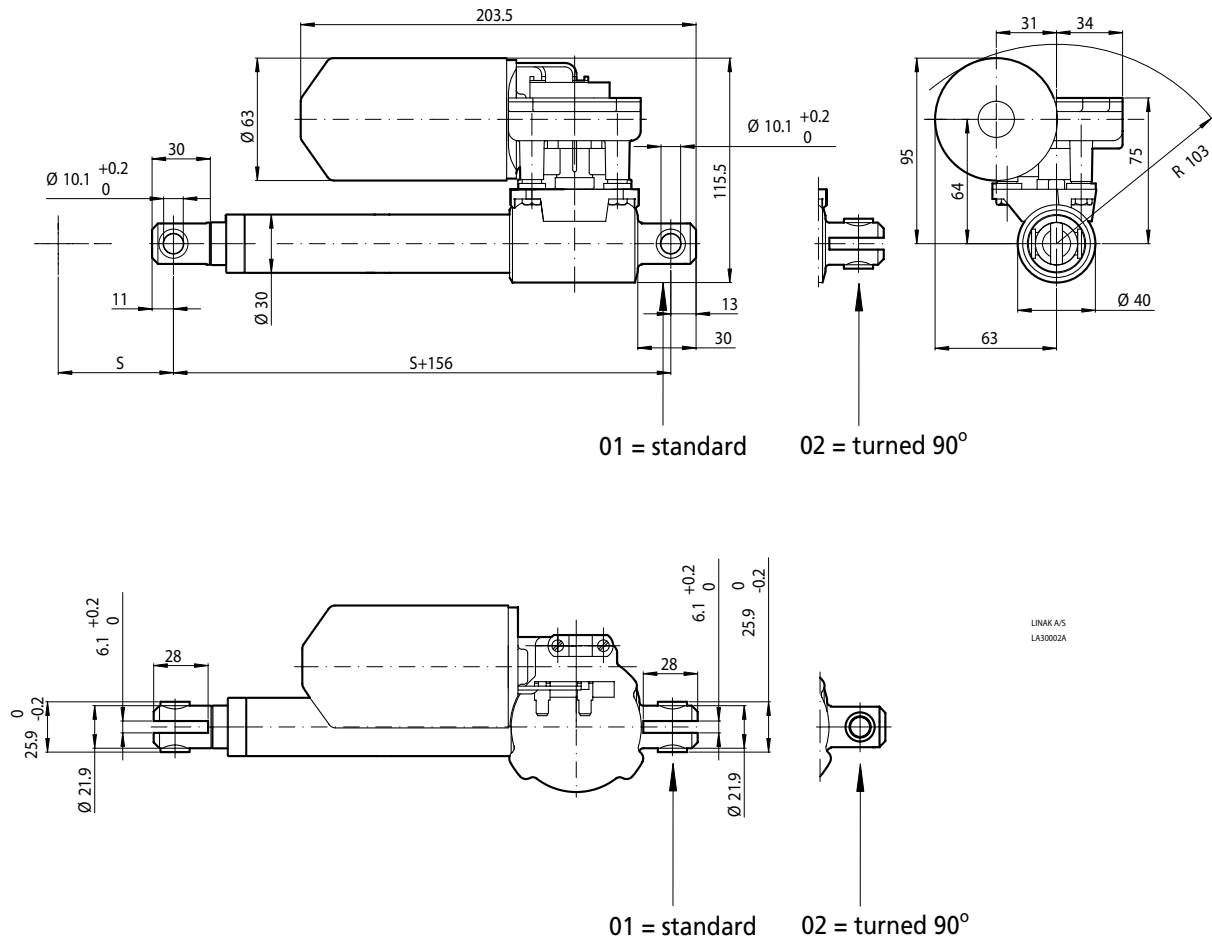


WE IMPROVE YOUR LIFE

**Options:**

- Terminal cover (only LA30L versions)
- Ball screw (K) (only LA30L versions)
- Ball screw and safety nut (KAS) (only LA30L versions)
- Ball screw, safety nut and splines (KSM) (only LA30L versions)

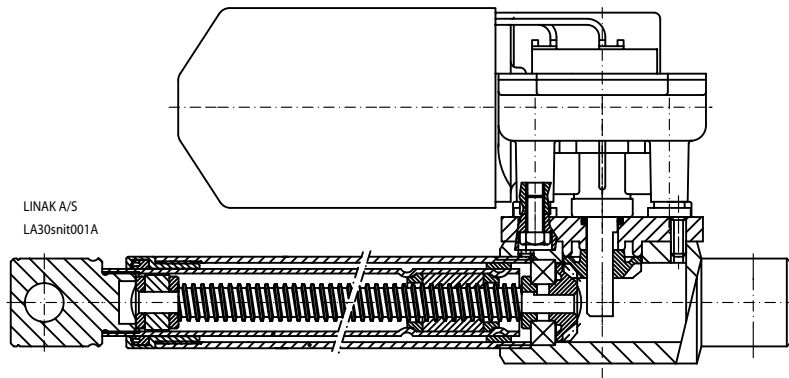
**Dimensions:**



**Install. dimension:**

LA30L + LA30 + LA30S with 3 or 6 mm pitch:	S + 156 mm
LA30 with spline + LA30S with 9 mm pitch:	S + 167 mm
LA30 with brake + LA30S with 3 or 6 mm pitch with brake:	S + 189 mm
LA30.LK / LA30.KAS	S + 194 mm
LA30L with brake + LA30S with 9 or 12 mm pitch with brake:	S + 199 mm
LA30LKSM	S + 251 mm

LA30 Standard



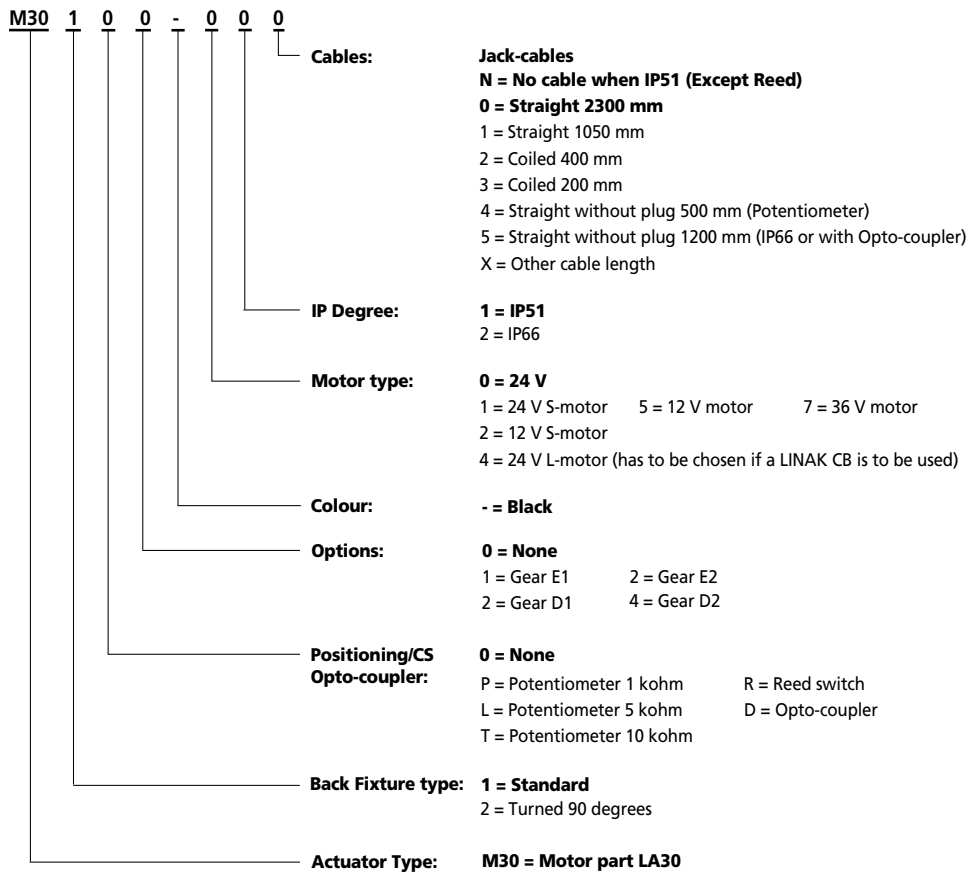
LA30

Ordering example:

<p>30 1 1 0 0 - 0 0 2 5 0 0 0 0</p>	<p><b>Cables:</b></p> <p><b>Protection class:</b></p> <p><b>Motor:</b></p> <p><b>Stroke length:</b></p> <p><b>Install. dim.:</b></p> <p><b>Option:</b></p> <p><b>Colour:</b></p> <p><b>Option:</b></p> <p><b>Option:</b></p> <p><b>Back fixture:</b></p> <p><b>Spindle type:</b></p> <p><b>Actuator type:</b></p>	<p><b>N = No cable at IP51 (except reed)</b>  <b>0 = Straight with jack plug 2300 mm</b>                  1 = Straight with jack plug 1050 mm                  2 = Coiled with jack plug 400 mm                  3 = Coiled with jack plug 200 mm                  4 = Straight without plug 500 mm (Potentiometer)                  5 = Straight without plug 1200 mm (with IP66 housing)                  X = Other cable/length</p> <p><b>0 = IP51</b>                  2 = IP66 with plastic house</p> <p><b>0 = 24 V DC</b>                  1 = 24 V S-motor    4 = 24 V L-motor    7 = 36 V motor                  2 = 12 V S-motor    5 = 12 V motor</p> <p>XXX = mm            Max. with 3 &amp; 6 mm pitch 400 mm                                            Max. with 9 &amp; 12 mm pitch 500 mm                                            Min. 50 mm</p> <p><b>0 = Standard</b>                  X = Other installation dimension</p> <p><b>0 = None</b>            4 = Brake                  1 = Safety nut        5 = Brake with safety nut                  2 = Steel spline                  3 = Steel spline with safety nut</p> <p><b>Black</b></p> <p><b>0 = None</b></p> <p><b>0 = None</b>                  P = Potentiometer 1 kohm                  L = Potentiometer 5 kohm                  T = Potentiometer 10 kohm                  R = Reedswitch                  D = Optokobler</p> <p><b>1 = Standard (01)</b>                  2 = Turned 90° (02)</p> <p><b>1 = 3 mm</b>            (1-tread)            LA30.1  <b>2 = 6 mm</b>            (2-tread)            LA30.2  <b>3 = 9 mm</b>            (3-tread)            LA30.3  <b>4 = 4 mm</b>            (2-tread)            LA30.40  <b>5 = 2.5 mm</b>        (1-tread)            LA30.25  <b>6 = 2 mm</b>            (1-tread)            LA30.20  <b>7 = 12 mm</b>        (4-tread)            LA30.4  <b>K = Ball spindel</b>                            LA30K</p>	<p>Old type no.</p>
-------------------------------------	---	---	---------------------

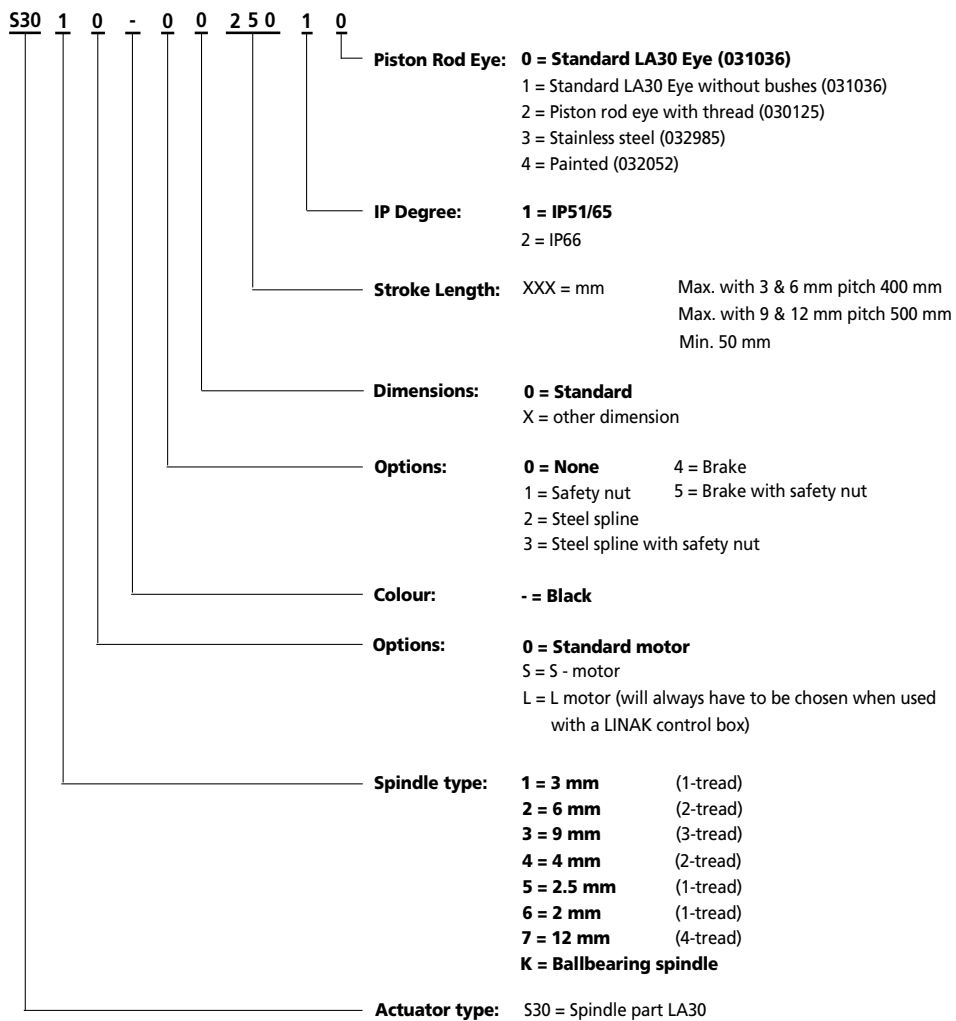
# LA30

## Ordering example motor part:

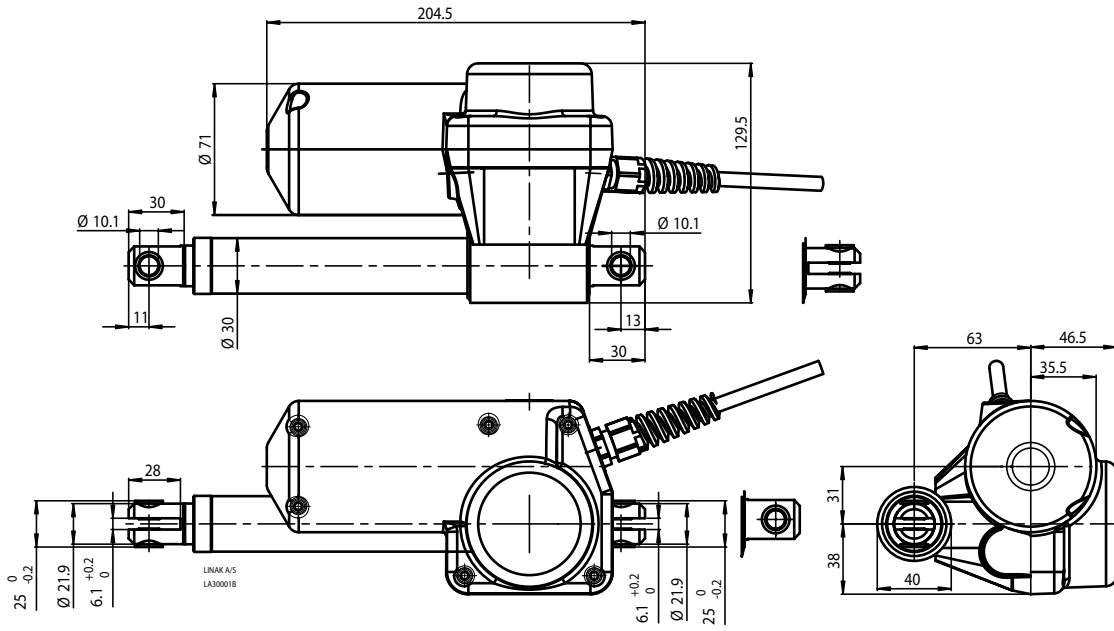


# LA30

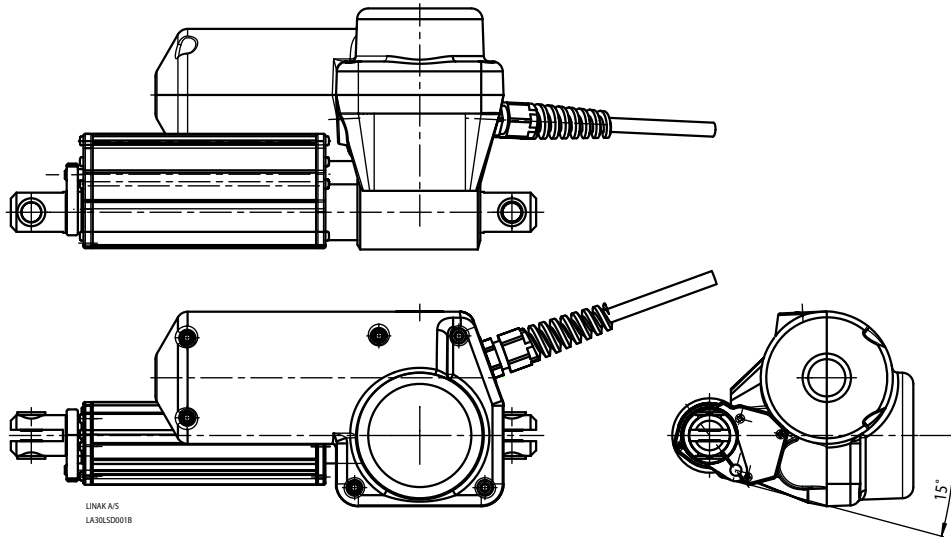
## Ordering example spindle part:



Dimensions:



LA30 with housing mounted with LSD (protection class IP54)



**Technical specifications:**

New type	Old type	Spindle pitch (mm)	*Self-lock max. With/without brake (N)	Typical speed 0/full load (mm/s)	Stroke length (mm)										Typical amp. at full load 12V 24V	
					50	100	150	200	250	300	350	400	14	6.9		
303XX0-4XXXX0XX	LA30.3B	9	1500/400	42/20	50	100	150	200	250	300	350	400	14	6.9		
302XX0-4XXXX0XX	LA30.2B	6	2000/500	18.5/14	50	100	150	200	250	300	350	400	14	7		
301XX0-XXXX0XX	LA30.1	3	3000/3000	16/9	50	100	150	200	250	300	350	400	14	6.4		
303XX0-4XXXX1XX	LA30.3SB	9	1800/400	52/25	50	100	150	200	250	300	350	400	20	10		
302XX0-4XXXX1XX	LA30.2SB	6	2400/500	34/20.3	50	100	150	200	250	300	350	400	18	9.1		
301XX0-XXXX1XX	LA30.1S	3	3500/3500	17/9.5	50	100	150	200	250	300	350	400	18	9.3		
303XX0-4XXXX4XX	LA30.3LB	9	2000/500	20/13	-	100	150	200	250	300	350	400	-	4.4		
307XX0-4XXXX4XX	LA30.4LB	12	1000/200	26/20	-	100	150	200	250	300	350	400	-	2.5		
302XX0-4XXXX4XX	LA30.2L	6	2000/2000	13.8/9.5	-	100	150	200	250	300	-	-	-	3		
301XX0-XXXX4XX	LA30.1L	3	4000/4000	7/4.5	-	100	150	200	250	300	-	-	-	3.5		
30KXX0-0XXXX4XX	LA30.LK	4	6000/0	8.7/5.5	-	-	150	200	250	300	350	400	-	4.7		
30KXX0-1XXXX4XX	LA30.LKAS	4	6000/0	8.7/5.5	-	-	150	200	250	300	350	400	-	4.7		
30KXX0-3XXXX4XX	LA30.LKSM	4	6000/0	8.7/5.5	-	-	-	-	-	300	350	400	-	4.7		

Duty cycle: 10%

Above data: the measurements are made with the actuators in connection with a stable power supply, LA30L versions with a CB12.

S = Strong motor

L = Slow motor

K = Ball screw

KAS = Ball screw, safety nut

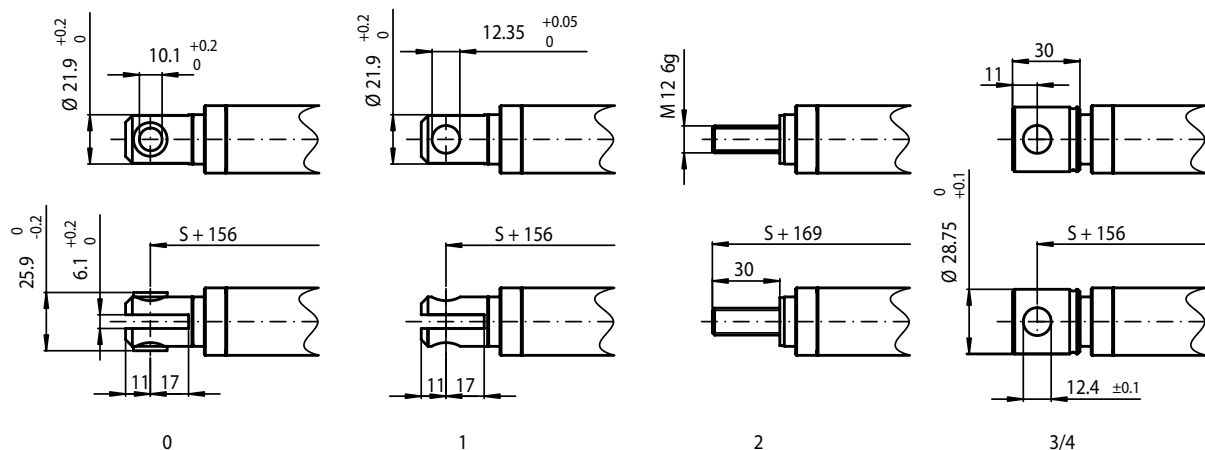
KSM = Ball screw, safety nut, spline

\*LINAK control boxes are designed so that they will short-circuit the motor terminals (poles) of the actuator(s), when the actuator(s) are not running. This solution gives the actuator(s) a higher self-locking ability. If the actuator(s) are not connected to a LINAK control box, the terminals of the motor must be short-circuited to achieve the self-lock ability of the actuator.

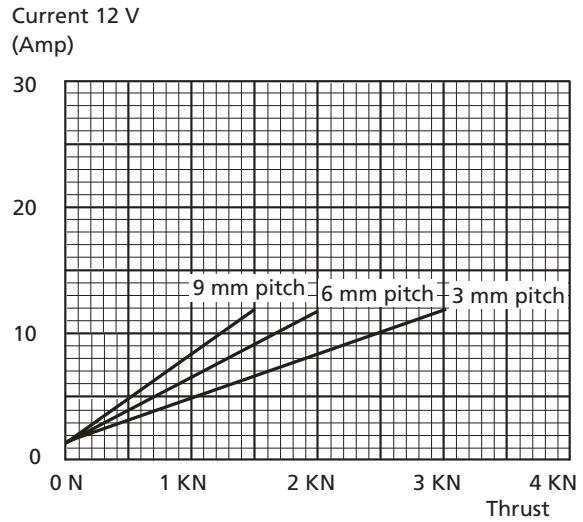
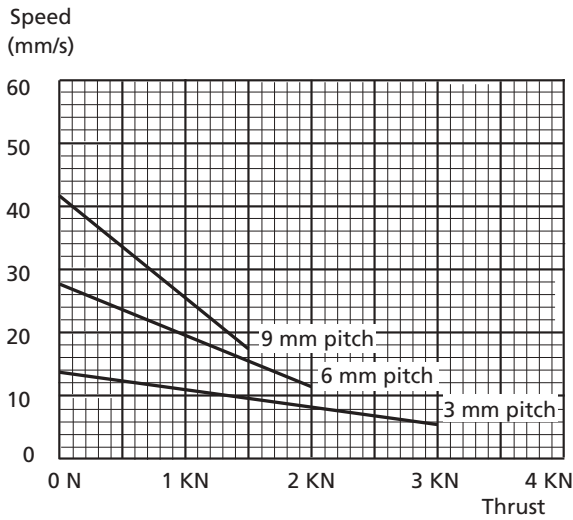
All stroke lengths marked with  give full resolution with standard potentiometer (1, 5 or 10 kW).

Potentiometer may be used with other stroke lengths, but will not give full resolution.

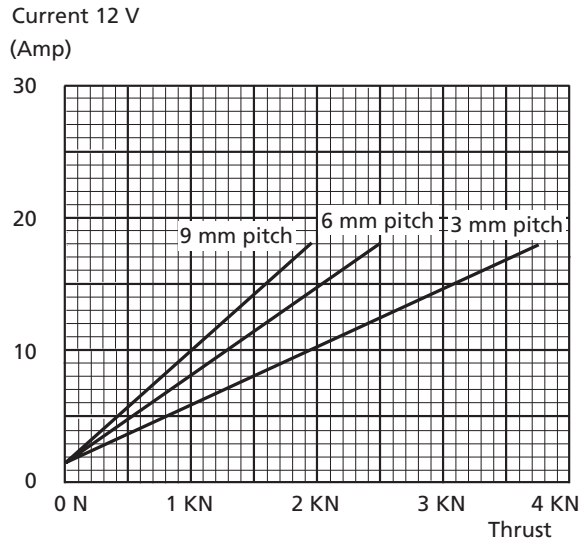
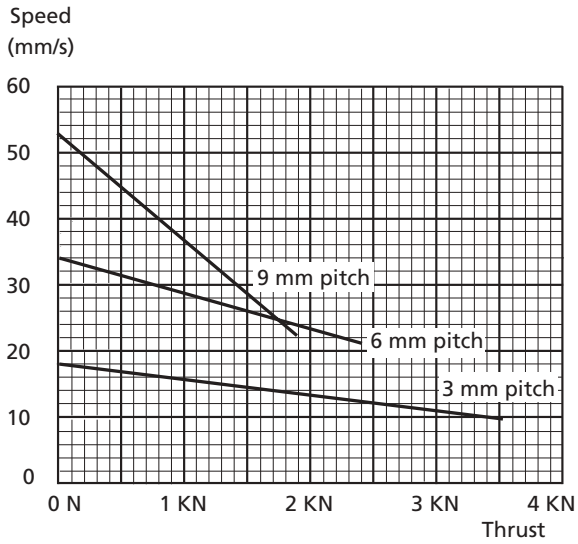
**Piston Rod Eyes:**



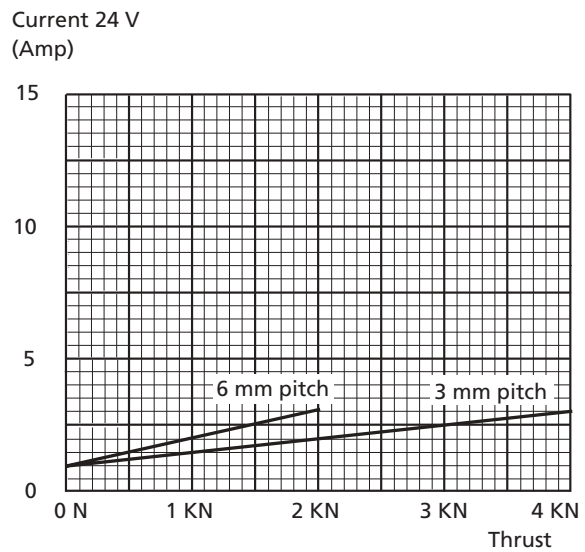
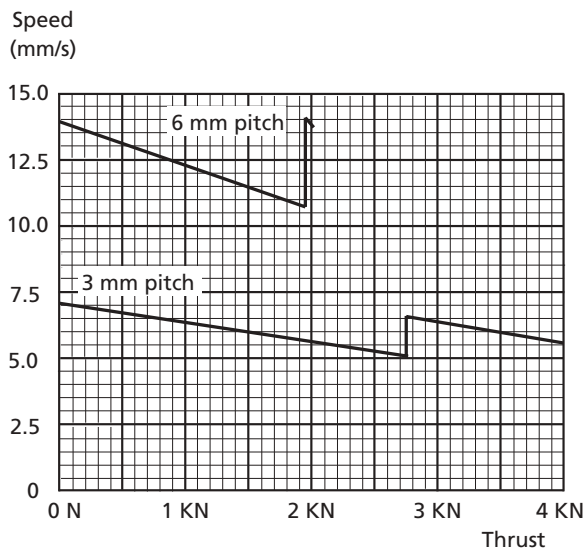
LA30 with 12V stable power supply:



LA30S with 12V stable power supply:



LA30L version with a CB12:



Specifications subject to change without prior notice.  
 It is the responsibility of the product user to determine the suitability of LINAK A/S products for a specific application. LINAK will at point of delivery replace/repair defective products covered by the warranty if promptly returned to the factory. No liability is assumed beyond such replacement/repair.